



Manual valves with interface are the ideal solution to customize and assemble your own valve. Indeed, with 6 types of basic valves: in-line or 90° interface, 3/2 or 5/2 function, in combination with many versions of the various actuators, you can combine the perfect solution for your needs.

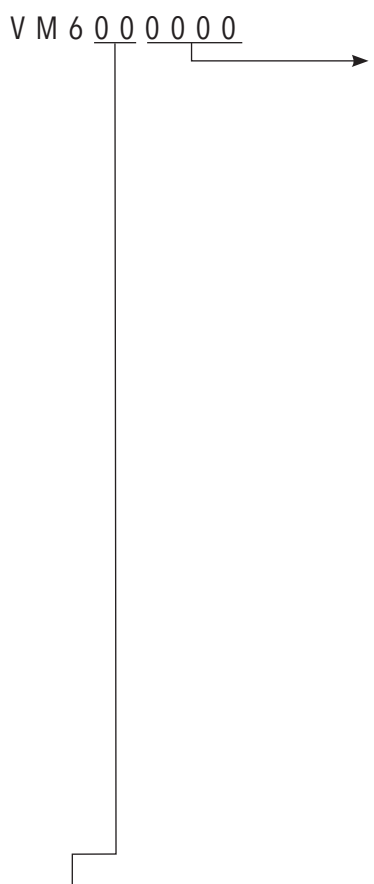
**Les vannes manuelles avec interface sont la solution idéale pour personnaliser et assembler votre propre vanne. En effet, avec 6 types de vannes de base : interface en ligne ou 90°, fonction 3/2 ou 5/2, en combinaison avec des nombreuses versions des différents actionneurs, vous pouvez combiner la solution parfaite pour vos besoins.**

*Le valvole manuali con interfaccia sono la soluzione ideale per personalizzare la propria valvola, infatti con 6 tipi di valvole di base: interfaccia in testa o a 90°, funzione : 3/2 o 5/2, in abbinamento a moltissime versioni dei vari attuatori, è possibile combinare la soluzione perfetta per le proprie esigenze.*

**TECHNICAL DATA / DONNÉES TECHNIQUES / DATI TECNICI**

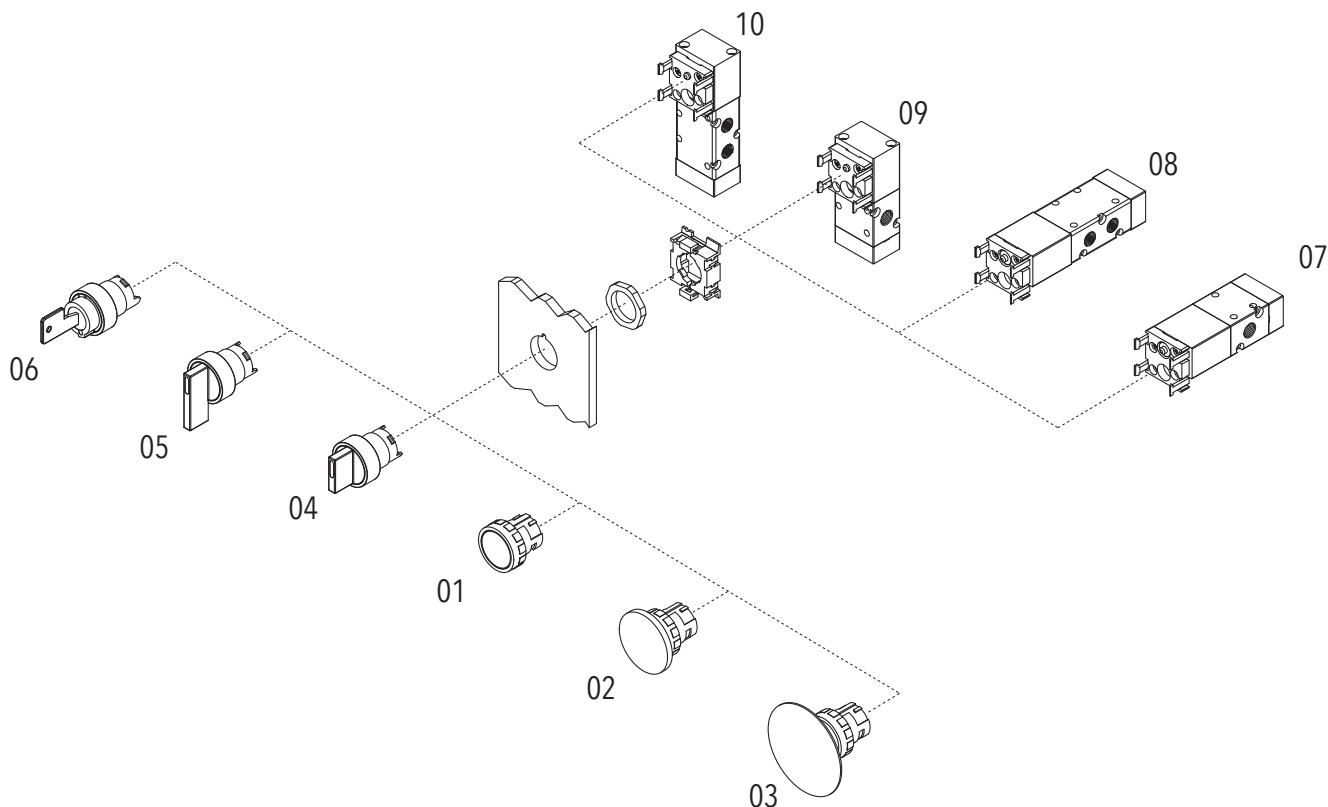
Fluid / <b>Fluide</b> / Fluido	Lubricated or non lubricated air / <b>Air lubrifié ou non</b> / Aria con o senza lubrificazione
Temperature range / <b>Température d'utilisation</b> / Temperatura di esercizio	-10°C / +60°C
Max operating pressure / <b>Pression max d'utilisation</b> / Pressione massima di esercizio	10 bar
Size / <b>Taille</b> / Taglia	1/8
Operated / <b>Fonctionner</b> / Azionamento	Servo-piloted / <b>Servo-piloté</b> / Servopilotato
Flow rate 6 bar $\Delta p$ 1bar / <b>Débit à 6 bar <math>\Delta p</math> 1bar</b> / Portata a 6 bar $\Delta p$ 1bar	550 Nl/min.

**ORDERING CODE FOR VALVE MOUNTED WITH ACTUATOR / CODIFICATION POUR DISTRIBUTION AVEC ACTIONNEUR MONTÉE / CHIAVE DI CODIFICA PER VALVOLA MONTATA CON ATTUATORE**

<b>V M 6 0 0 0 0 0</b> 	<b>4010</b>	Protected push button monostable / <b>Bouton poussoir monostable</b> / Pulsante protetto monostabile	
	<b>4020</b>	Ø40 mushroom monostable / <b>Champignon Ø40 monostable</b> / Fungo Ø40 monostabile	
	<b>402A</b>	Ø40 mushroom turn to unlock / <b>Champignon Ø40 tourner pour déverrouiller</b> / Fungo Ø40 sblocco a rotazione	
	<b>4030</b>	Ø60 mushroom monostable / <b>Champignon Ø60 monostable</b> / Fungo Ø60 monostabile	
	<b>403A</b>	Ø60 mushroom turn to unlock / <b>Champignon Ø60 tourner pour déverrouiller</b> / Fungo Ø60 sblocco a rotazione	
	<b>4040</b>	Short lever selector 2 positions monostable / <b>Bouton a levier court 2 pos. monostable</b> / Selettore leva corta 2 posizioni monostabile	0 ← 1
	<b>404A</b>	Short lever selector 2 positions bistable / <b>Bouton a levier court 2 pos. bistable</b> / Selettore leva corta 2 posizioni bistabile	0 1
	<b>404B</b>	Short lever selector 3 positions monostable / <b>Bouton a levier court 3 pos. monostable</b> / Selettore leva corta 3 posizioni monostabile	2 → 0 ← 1
	<b>404C</b>	Short lever selector 3 positions bistable / <b>Bouton a levier court 3 pos. bistable</b> / Selettore leva corta 3 posizioni bistabile	2 0 1
	<b>4050</b>	Long lever selector 2 positions monostable / <b>Bouton a levier long 2 pos. monostable</b> / Selettore leva lunga 2 posizioni monostabile	0 ← 1
	<b>405A</b>	Long lever selector 2 positions bistable / <b>Bouton a levier long 2 pos. bistable</b> / Selettore leva lunga 2 posizioni bistabile	0 1
	<b>405B</b>	Long lever selector 3 positions monostable / <b>Bouton a levier long 3 pos. monostable</b> / Selettore leva lunga 3 posizioni monostabile	2 → 0 ← 1
	<b>405C</b>	Long lever selector 3 positions bistable / <b>Bouton a levier long 3 pos. bistable</b> / Selettore leva lunga 3 posizioni bistabile	2 0 1
	<b>4060</b>	Key selector 2 positions bistable / <b>Bouton a cle 2 positions bistable</b> / Selettore a chiave 2 posizioni bistabile	0 1

<b>07</b>	1/8 - 3/2 NC adaptor in top / <b>1/8 - 3/2 NF bouton</b> / 1/8 - 3/2 NC adattatore in testa
<b>08</b>	1/8 - 3/2 NO adaptor in top / <b>1/8 - 3/2 NO bouton</b> / 1/8 - 3/2 NA adattatore in testa
<b>09</b>	1/8 - 5/2 adaptor in top / <b>1/8 - 5/2 bouton</b> / 1/8 - 5/2 adattatore in testa
<b>10</b>	1/8 - 3/2 NC 90° adaptor / <b>1/8 - 3/2 NF bouton à 90°</b> / 1/8 - 3/2 NC adattatore A 90°
<b>11</b>	1/8 - 3/2 NO 90° adaptor / <b>1/8 - 3/2 NO bouton à 90°</b> / 1/8 - 3/2 NA adattatore A 90°
<b>12</b>	1/8 - 5/2 90° adaptor / <b>1/8 - 5/2 bouton à 90°</b> / 1/8 - 5/2 adattatore A 90°

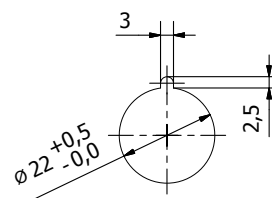
PANEL MOUNTING / MONTAGE SUR PANNEAU / MONTAGGIO A PANNELLO

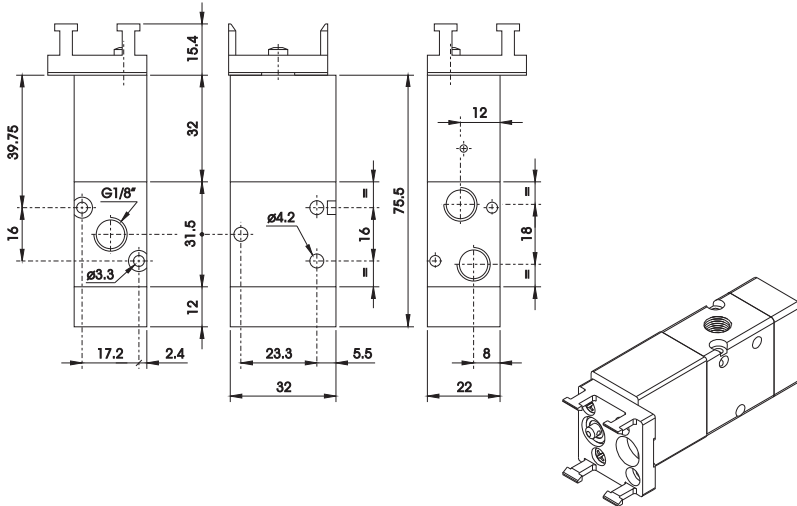


N.	CODE	DESCRIPTION / DESCRIPTION / DESCRIZIONE
01	AP401	Protected push button monostable / <b>Bouton poussoir monostable</b> / Pulsante protetto monostabile
02	AP402	Ø40 mushroom monostable / <b>Champignon Ø40 monostable</b> / Fungo Ø40 monostabile
02	AP402A	Ø40 mushroom turn to unlock / <b>Champignon Ø40 tourner pour déverrouiller</b> / Fungo Ø40 sblocco a rotazione
03	AP403	Ø60 mushroom monostable / <b>Champignon Ø60 monostable</b> / Fungo Ø60 monostabile
03	AP403A	Ø60 mushroom turn to unlock / <b>Champignon Ø60 tourner pour déverrouiller</b> / Fungo Ø60 sblocco a rotazione
04	AP404	Short lever selector 2 positions monostable / <b>Bouton a levier court 2 pos. monostable</b> / Selettore leva corta 2 posizioni monostabile
04	AP404A	Short lever selector 2 positions bistable / <b>Bouton a levier court 2 pos. bistable</b> / Selettore leva corta 2 posizioni bistabile
04	AP404B	Short lever selector 3 positions monostable / <b>Bouton a levier court 3 pos. monostable</b> / Selettore leva corta 3 posizioni monostabile
04	AP404C	Short lever selector 3 positions bistable / <b>Bouton a levier court 3 pos. bistable</b> / Selettore leva corta 3 posizioni bistabile
05	AP405	Long lever selector 2 positions monostable / <b>Bouton a levier long 2 pos. monostable</b> / Selettore leva lunga 2 posizioni monostabile
05	AP405A	Long lever selector 2 positions bistable / <b>Bouton a levier long 2 pos. bistable</b> / Selettore leva lunga 2 posizioni bistabile
05	AP405B	Long lever selector 3 positions monostable / <b>Bouton a levier long 3 pos. monostable</b> / Selettore leva lunga 3 posizioni monostabile
05	AP405C	Long lever selector 3 positions bistable / <b>Bouton a levier long 3 pos. bistable</b> / Selettore leva lunga 3 posizioni bistabile
06	AP406	Key selector 2 positions bistable / <b>Bouton a cle 2 positions bistable</b> / Selettore a chiave 2 posizioni bistabile

N.	CODE	DESCRIPTION / DESCRIPTION / DESCRIZIONE
07	VM4012023201	1/8 - 3/2 NC adaptor in top / <b>1/8 - 3/2 NF bouton</b> / 1/8 - 3/2 NC adattatore in testa
07	VM4011023201	1/8 - 3/2 NO adaptor in top / <b>1/8 - 3/2 NO bouton</b> / 1/8 - 3/2 NA adattatore in testa
08	VM4010025201	1/8 - 5/2 adaptor in top / <b>1/8 - 5/2 bouton</b> / 1/8 - 5/2 adattatore in testa
09	VM4012193201	1/8 - 3/2 NC 90° adaptor / <b>1/8 - 3/2 NF bouton à 90°</b> / 1/8 - 3/2 NC adattatore A 90°
09	VM4011193201	1/8 - 3/2 NO 90° adaptor / <b>1/8 - 3/2 NO bouton à 90°</b> / 1/8 - 3/2 NA adattatore A 90°
10	VM4010195201	1/8 - 5/2 90° adaptor / <b>1/8 - 5/2 bouton à 90°</b> / 1/8 - 5/2 adattatore A 90°

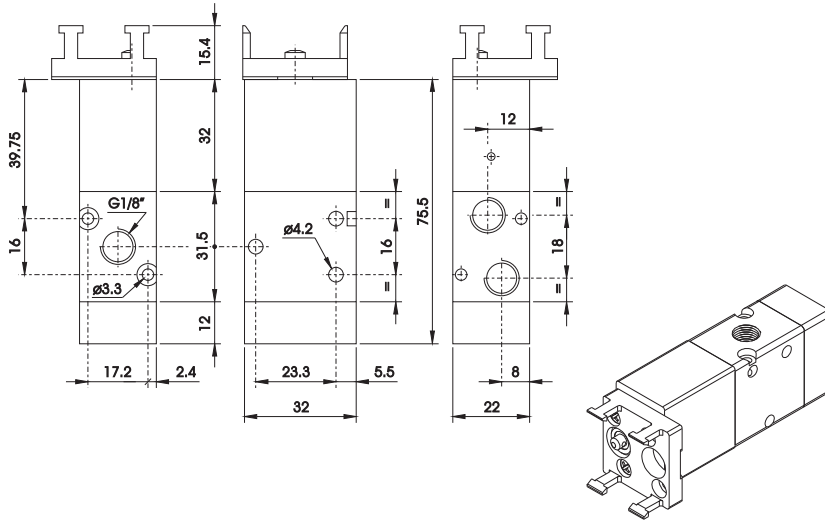
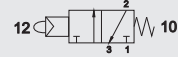
PANEL MOUNTING HOLE WITH ANTIROTATION FEATURE  
**PERCAGE POUR MONTAGE SUR PANNEAU AVEC FONCTION ANTIROTATION**  
**FORO PER MONTAGGIO A PANNELLO CON ASOLA ANTIROTAZIONE**





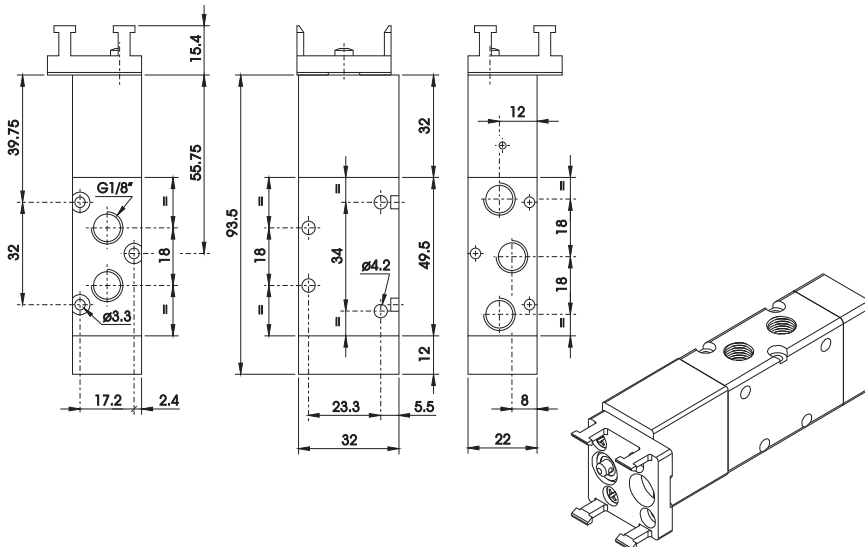
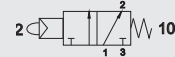
1/8 - 3/2 NC adaptor in top  
**1/8 - 3/2 NF bouton**  
 1/8 - 3/2 NC adattatore in testa

CODE  
**VM4012023201**



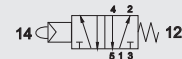
1/8 - 3/2 NO adaptor in top  
**1/8 - 3/2 NO bouton**  
 1/8 - 3/2 NA adattatore in testa

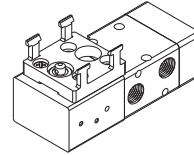
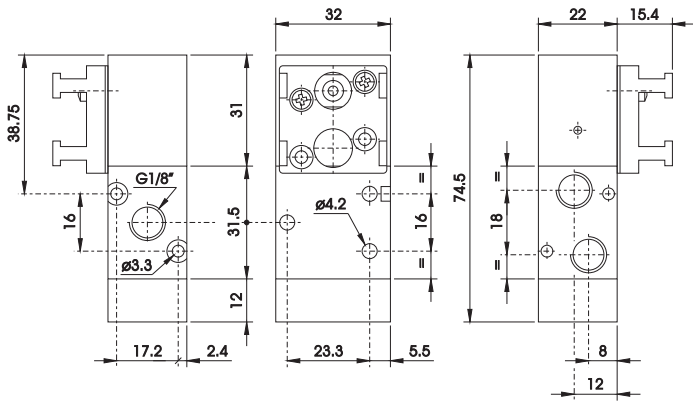
CODE  
**VM4011023201**



1/8 - 5/2 adaptor in top  
**1/8 - 5/2 bouton**  
 1/8 - 5/2 adattatore in testa

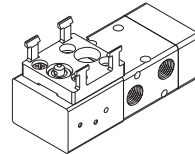
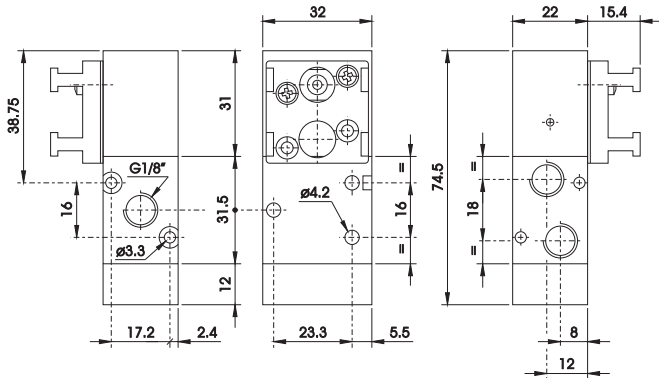
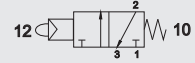
CODE  
**VM4010025201**





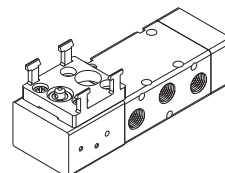
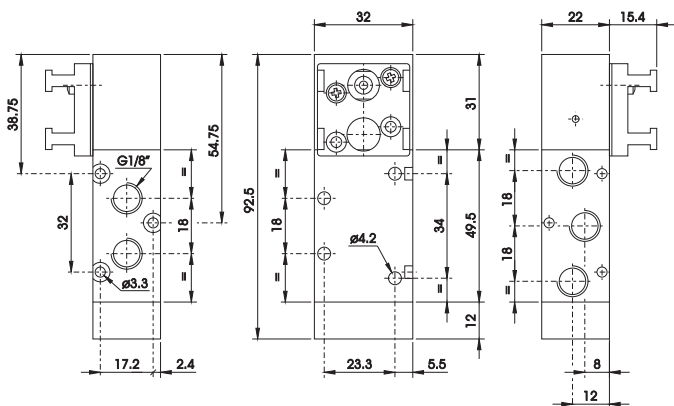
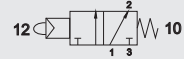
1/8 - 3/2 NC 90° adaptor  
**1/8 - 3/2 NF bouton à 90°**  
1/8 - 3/2 NC adattatore a 90°

CODE  
VM4012193201



1/8 - 3/2 NO 90° adaptor  
**1/8 - 3/2 NO bouton à 90°**  
1/8 - 3/2 NA adattatore a 90°

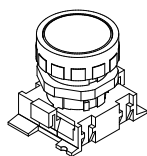
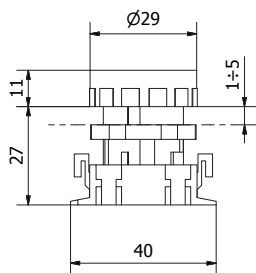
CODE  
VM4011193201



1/8 - 5/2 90° adaptor  
**1/8 - 5/2 bouton à 90°**  
1/8 - 5/2 adattatore a 90°

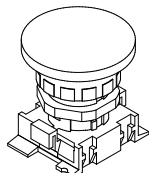
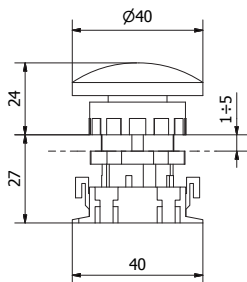
CODE  
VM4010195201





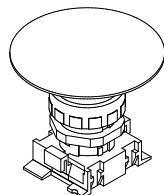
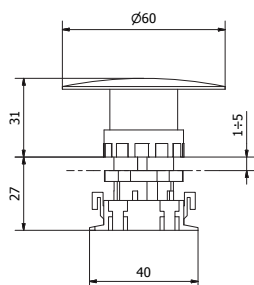
PROTECTED PUSH BUTTON (3 colors included: red, white and black)  
**BOUTON POUSSOIR (3 couleurs incluses: rouge, blanc et noir)**  
*PULSANTE PROTETTO (3 colori inclusi: rosso, bianco e nero)*

**CODE**  
**AP401** monostable / **monostable** / *monostabile*



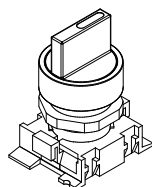
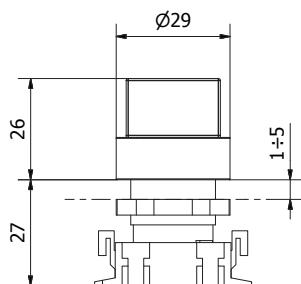
Ø40 MUSHROOM (red color)  
**CHAMPIGNON Ø40 (couleur rouge)**  
*FUNGO Ø40 (colore rosso)*

**CODE**  
**AP402** monostable / **monostable** / *monostabile*  
**AP402A** turn to unlock / **tourner pour déverrouiller** / *sblocco a rotazione*



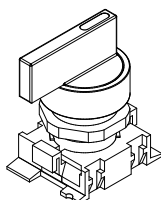
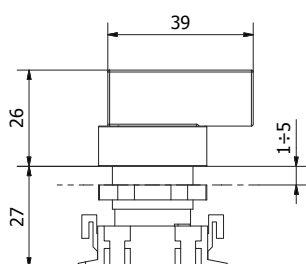
Ø60 PALM (red color)  
**POUSSE - TOURNE Ø60 (couleur rouge)**  
*FUNGO Ø60 (colore rosso)*

**CODE**  
**AP403** monostable / **monostable** / *monostabile*  
**AP403A** turn to unlock / **tourner pour déverrouiller** / *sblocco a rotazione*



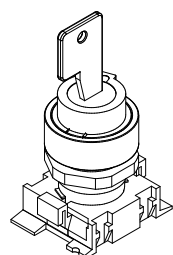
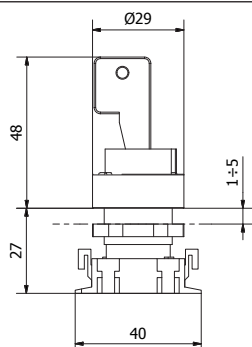
SHORT LEVER SELECTOR (black color)  
**BOUTON A LEVIER COURT (couleur noir)**  
*SELETORE LEVA CORTA (colore nero)*

**CODE**  
**AP404** 2 positions monostable / **2 positions monostable** / *2 posizioni monostabile* 0 ◀ 1  
**AP404A** 2 positions bistable / **2 positions bistable** / *2 posizioni bistabile* 0 1  
**AP404B** 3 positions monostable / **3 positions monostable** / *3 posizioni monostabile* 2 ▶ 0 ◀ 1  
**AP404C** 3 positions stable / **3 positions stable** / *3 posizioni stabile* 2 0 1



LONG LEVER SELECTOR (black color)  
**BOUTON A LEVIER LONG (couleur noir)**  
*SELETORE LEVA LUNGA (colore nero)*

**CODE**  
**AP405** 2 positions monostable / **2 positions monostable** / *2 posizioni monostabile* 0 ◀ 1  
**AP405A** 2 positions bistable / **2 positions bistable** / *2 posizioni bistabile* 0 1  
**AP405B** 3 positions monostable / **3 positions monostable** / *3 posizioni monostabile* 2 ▶ 0 ◀ 1  
**AP405C** 3 positions stable / **3 positions stable** / *3 posizioni stabile* 2 0 1



KEY SELECTOR  
**BOUTON A CLE**  
*SELETORE A CHIAVE*

**CODE**  
**AP406** 2 positions bistable / **2 positions bistable** / *2 posizioni bistabile* 0 1