



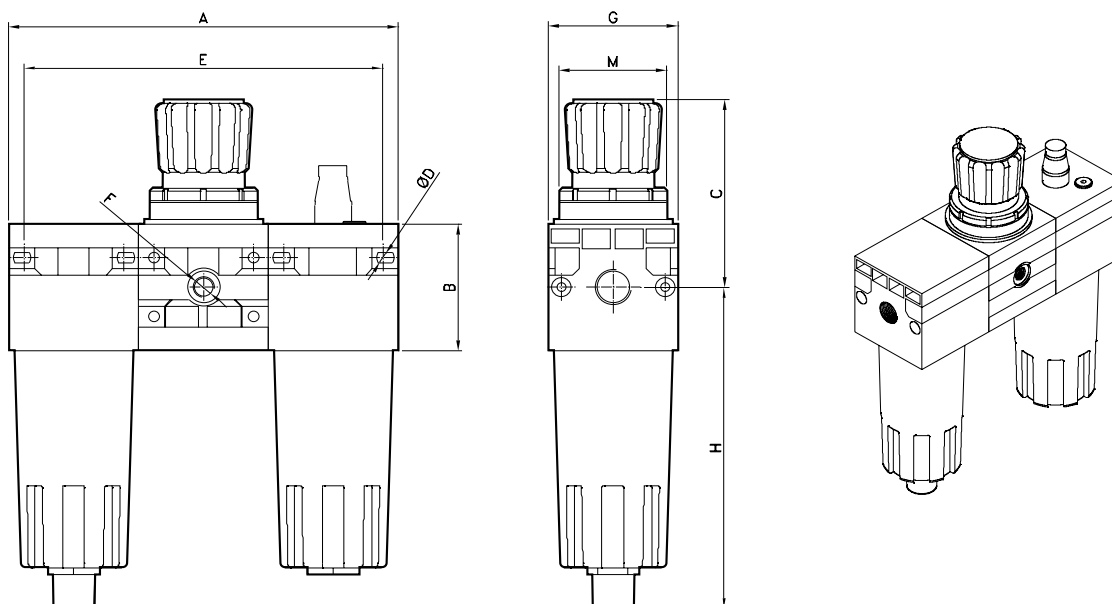
TECHNICAL DATA / DONNÉES TECHNIQUES / DATI TECNICI

Fluid / Fluide / <i>Fluido</i>	Air / Air / <i>Aria</i>		
Maximum pressure / Pression Max / <i>Pressione Max</i>	18 bar		
Temperature / Température / <i>Temperatura</i>	-20° C / +50°C		
Filtration grade / Grade de filtration / <i>Grado di filtrazione</i>	4 - 20 - 50 µm		
Pressure gauge thread / Raccord manomètre / <i>Attacco manometro</i>	1/8 - 1/4 = 1/8	3/8 - 1/2 = 1/8	3/4 - 1" = 1/4
Wall clamping screws / Vis pour fixation / <i>Viti per fissaggio</i>	1/8 - 1/4 = M4x40	3/8 - 1/2 = M4x50	3/4 - 1" = M6x75
Weight / Poids / <i>Peso</i>	1/8 - 1/4 = 1 Kg	3/8 - 1/2 = 2,5 Kg	3/4 - 1" = 5,8 Kg

STANDARD PRODUCTS / PRODUIT STANDARD / PRODOTTI STANDARD

Code Code <i>Codice</i>	Size Taille <i>Taglia</i>	Thread Filetage <i>Filetto</i>	Filtration Filtration <i>Filtrazione</i>	Flow rate Débit <i>Portata</i>
YT112411	1	1/8	20µm	400 NI/min
YT122411	1	1/4	20µm	400 NI/min
YT232411	2	3/8	20µm	2200 NI/min
YT242411	2	1/2	20µm	2200 NI/min
YT352411	3	3/4	20µm	3700 NI/min
YT362411	3	1"	20µm	3700 NI/min

DIMENSIONS / DIMENSIONS / DIMENSIONI



Size	A	B	C	D	E	F	G	H	M
1/8 - 1/4	126	42	64	5	116	1/8	42	120	30x1.5
3/8 - 1/2	180	60	90	5	166	1/8	60	155	38x2
3/4 - 1"	240	80	124	7	226	1/4	80	195	55x2

Air treatment / **Traitement d'air** / *Trattamento aria*

FILTERREGULATOR+LUBRICATOR (FR+L) / **FILTRE REGULATEUR+LUBRIFICATEUR (FR+L)**
FILTROREGOLATORE+LUBRIFICATORE (FR+L)