

The VI Series complies with ISO 5599/1 norms.
 They are entirely made in aluminium in order to grant strength and long durability.
 They are available in ISO 1 and ISO 2 with different bases according to the different applications.

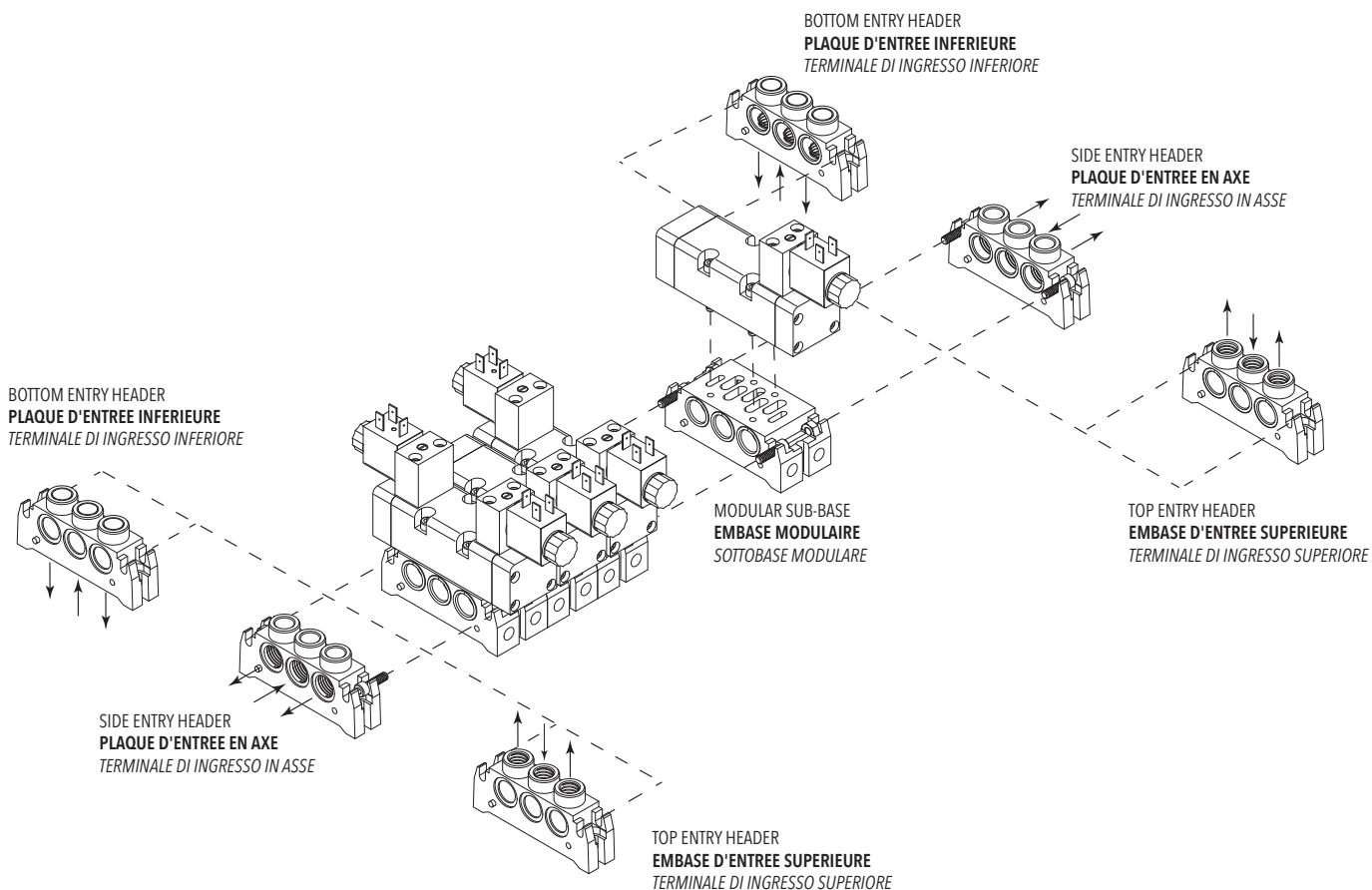
Le distributeur de la série VI norme 5599/1 est conçu entièrement en aluminium ce qui renforce sa robustesse et sa fiabilité.
Disponible en taille ISO 1 et ISO 2, son montage est prévu sur embase avec différentes applications.

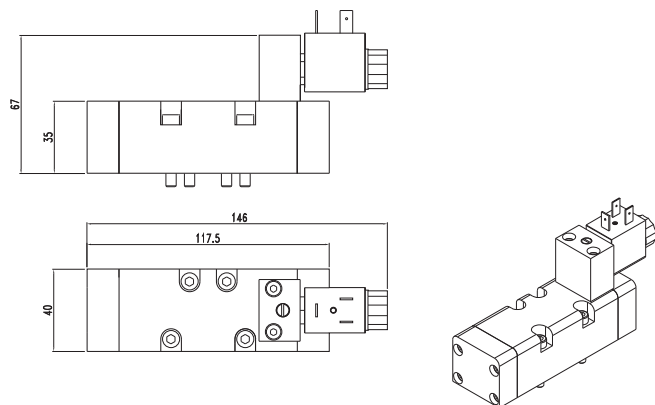
*Le valvole della serie VI sono realizzate per rispondere alla normativa 5599/1.
 Costruzione interamente in alluminio per garantire solidità e lunga durata.
 Sono disponibili nella tagli ISO 1 e ISO 2 con diverse configurazioni di sottobasi.*

TECHNICAL DATA / DONNÉES TECHNIQUES / DATI TECNICI

Fluid / Fluide / <i>Fluido</i>	Lubricated or non lubricated air / Air lubrifié ou non / <i>Aria con o senza lubrificazione</i>	
Temperature range / Température d'utilisation / <i>Temperatura di esercizio</i>	-10°C / + 60°C	
Actuating pressure / Pression d'alimentation / <i>Pressione di azionamento</i>	<ul style="list-style-type: none"> • Monostable / Monostable / <i>Monostabile</i> 2.5 - 10bar • Bistable / Bistable / <i>Bistabile</i> 1 - 10bar 	
	ISO 1	ISO 2
Nominal orifice / Diamètre nominal / <i>Diametro nominale</i>	7,5mm	9mm
Flow rate to 6 bar and Δp 1 bar / Débit à 6 bar Δp 1 bar / <i>Portata a 6 bar e Δp 1 bar</i>	1100 Nl/min	2700 Nl/min
TRR monostabile a 6bar / TRA / <i>TRA</i>	24ms / 50ms	39ms / 60ms
TRR monostabile a 6bar / TRA / <i>TRA</i>	80ms / 80ms	90ms / 90ms

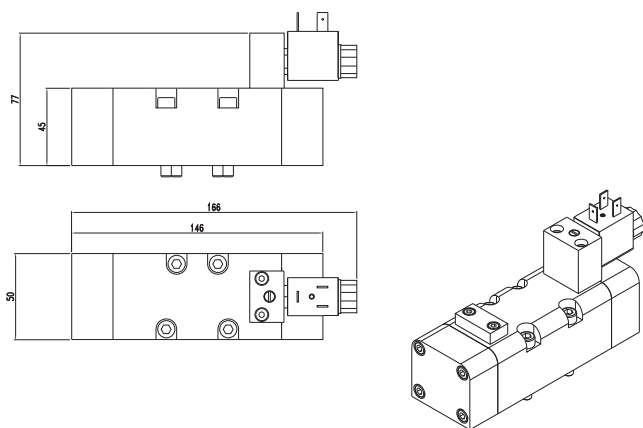
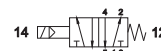
ASSEMBLY SYSTEM / SYSTEME DE MONTAGE / SISTEMA DI MONTAGGIO





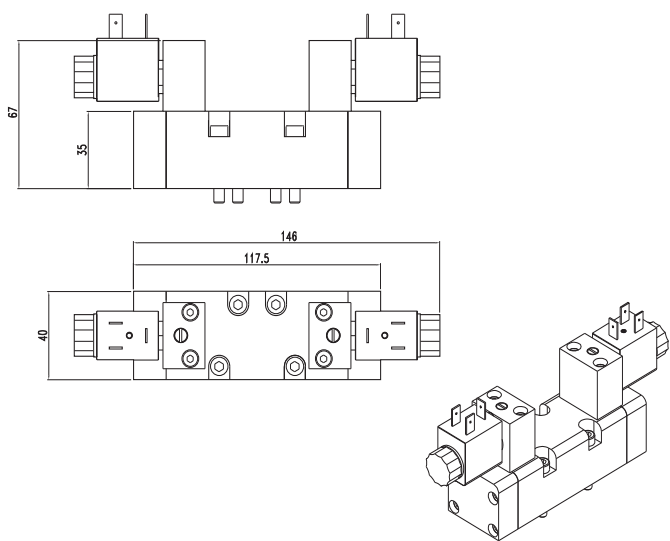
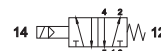
ISO 1
 ELECTRIC PILOT / **COMMANDE ÉLECTRIQUE** / **COMANDO ELETTRICO**

VI215030 5/2 monostable
5/2 monostable
 5/2 monostabile



ISO 2
 ELECTRIC PILOT / **COMMANDE ÉLECTRIQUE** / **COMANDO ELETTRICO**

VI225030 5/2 monostable
5/2 monostable
 5/2 monostabile

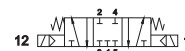


ISO 1
 ELECTRIC PILOT / **COMMANDE ÉLECTRIQUE** / **COMANDO ELETTRICO**

VI215040 5/2 bistable
5/2 bistable
 5/2 bistabile



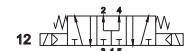
VI216041 5/3 closed centres
5/3 centre fermé
 5/3 centri chiusi

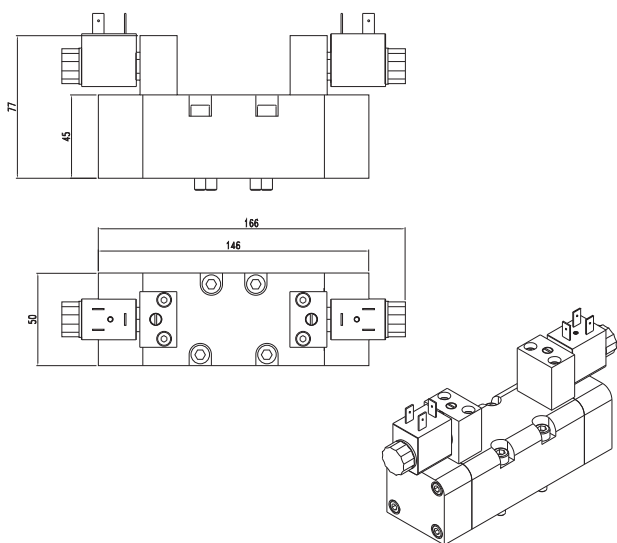


VI216042 5/3 open centres
5/3 centre ouvert
 5/3 centri aperti



VI216043 5/3 press.centres
5/3 centre pression
 5/3 centri in pressione

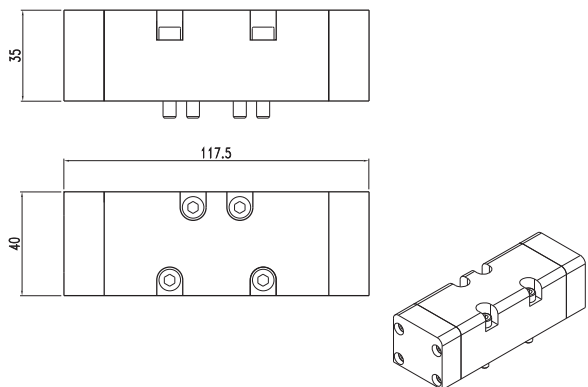




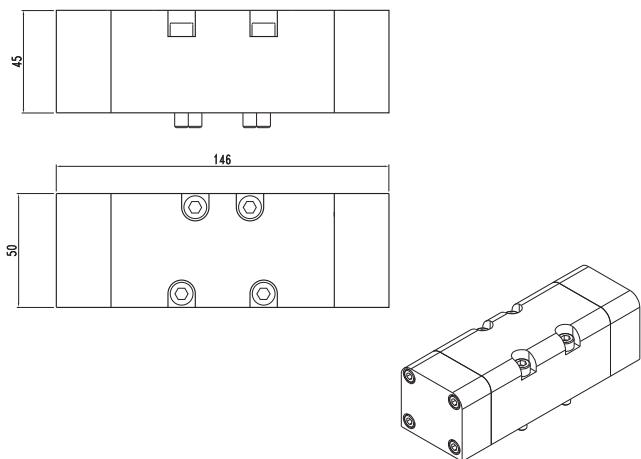
ISO 2
 ELECTRIC PILOT / **COMMANDE ÉLECTRIQUE** / **COMANDO ELETTRICO**

VI225040	5/2 bistable 5/2 bistable 5/2 bistabile	
VI226041	5/3 closed centres 5/3 centre fermé 5/3 centri chiusi	
VI226042	5/3 open centres 5/3 centre ouvert 5/3 centri aperti	
VI226043	5/3 press.centres 5/3 centre pression 5/3 centri in pressione	

ISO 1
 PNEUMATIC PILOT / **COMMANDE PNEUMATIQUE** / **COMANDO PNEUMATICO**

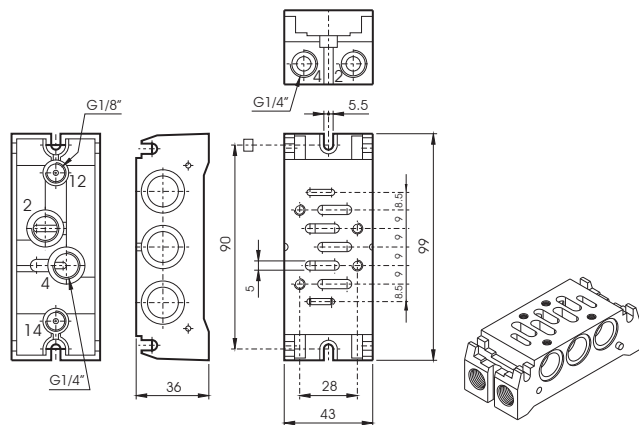


VI115010	5/2 monostable 5/2 monostable 5/2 monostabile	
VI115020	5/2 bistable 5/2 bistable 5/2 bistabile	
VI116021	5/3 closed centres 5/3 centre fermé 5/3 centri chiusi	
VI116022	5/3 open centres 5/3 centre ouvert 5/3 centri aperti	
VI116023	5/3 press.centres 5/3 centre pression 5/3 centri in pressione	



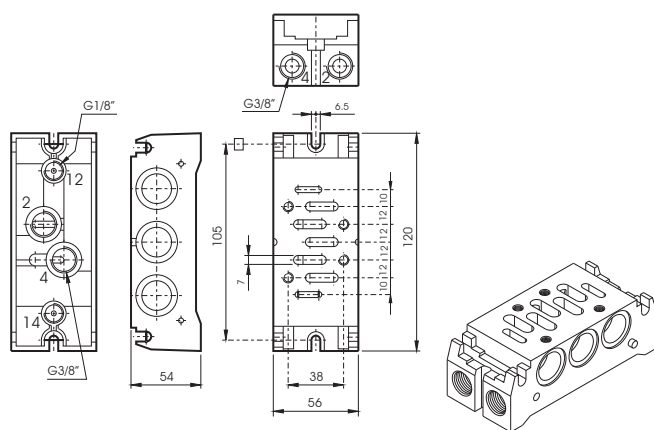
ISO 2
 PNEUMATIC PILOT / **COMMANDE PNEUMATIQUE** / **COMANDO PNEUMATICO**

VI125010	5/2 monostable 5/2 monostable 5/2 monostabile	
VI125020	5/2 bistable 5/2 bistable 5/2 bistabile	
VI126021	5/3 closed centres 5/3 centre fermé 5/3 centri chiusi	
VI126022	5/3 open centres 5/3 centre ouvert 5/3 centri aperti	
VI126023	5/3 press.centres 5/3 centre pression 5/3 centri in pressione	



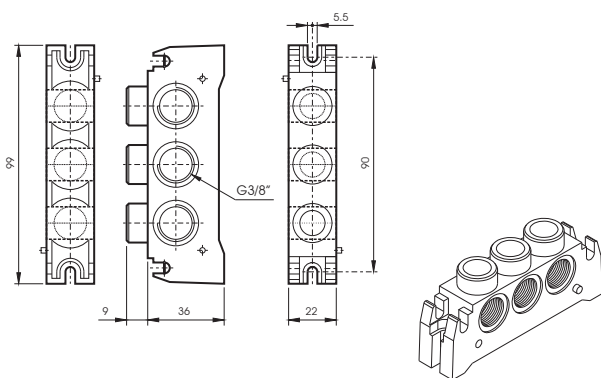
MODULAR SUB-BASE ISO 1
EMBASE MODULAIRE ISO 1
SOTTOBASE MODULARE ISO 1

CODE
SB40401100



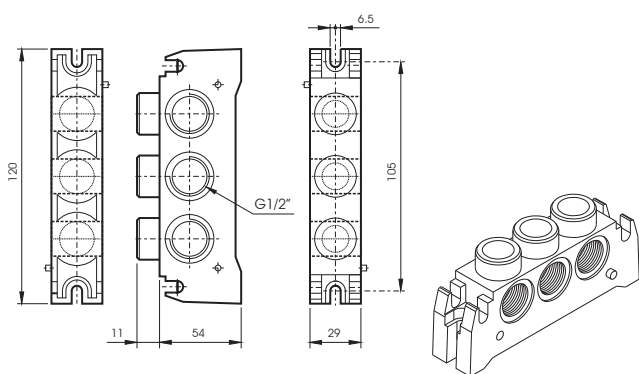
MODULAR SUB-BASE ISO 2
EMBASE MODULAIRE ISO 2
SOTTOBASE MODULARE ISO 2

CODE
SB40461100



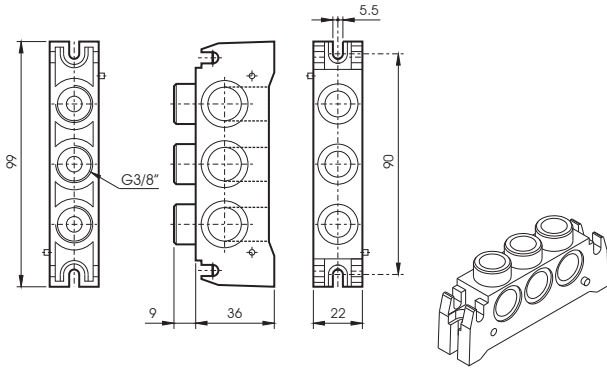
SIDE ENTRY HEADER ISO 1
PLAQUE D'ENTREE EN AXE ISO 1
TERMINALE DI INGRESSO IN ASSE ISO 1

CODE
SB40400001



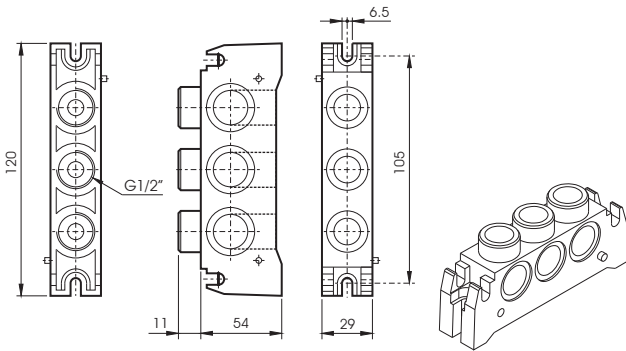
SIDE ENTRY HEADER ISO 2
PLAQUE D'ENTREE EN AXE ISO 2
TERMINALE DI INGRESSO IN ASSE ISO 2

CODE
SB40460001



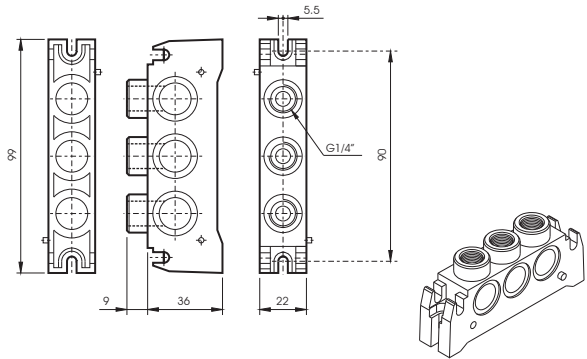
BOTTOM ENTRY HEADER ISO 1
PLAQUE D'ENTREE INFERIEURE ISO 1
TERMINALE DI INGRESSO INFERIORE ISO 1

CODE
SB40400003



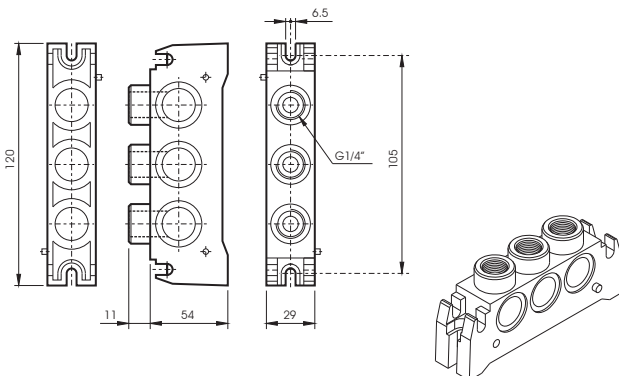
BOTTOM ENTRY HEADER ISO 2
PLAQUE D'ENTREE INFERIEURE ISO 2
TERMINALE DI INGRESSO INFERIORE ISO 2

CODE
SB40460003



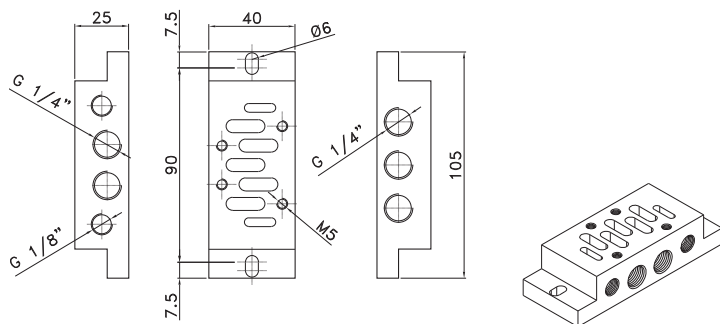
TOP ENTRY HEADER ISO 1
EMBASE D'ENTREE SUPERIEURE ISO 1
TERMINALE DI INGRESSO SUPERIORE ISO 1

CODE
SB40400002



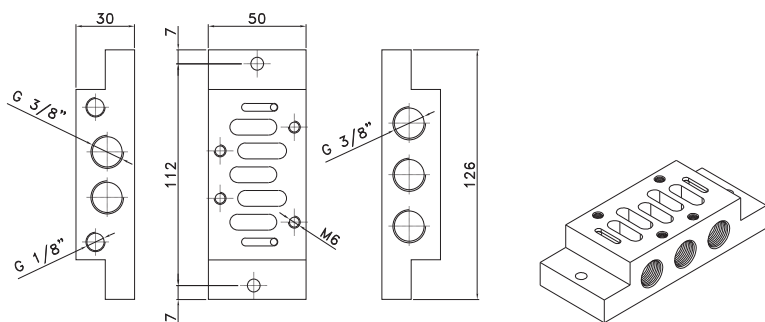
TOP ENTRY HEADER ISO 2
EMBASE D'ENTREE SUPERIEURE ISO 2
TERMINALE DI INGRESSO SUPERIORE ISO 2

CODE
SB40460002



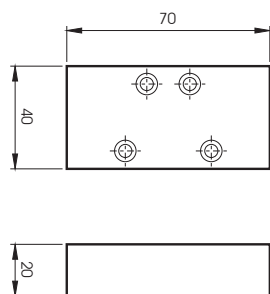
SINGLE SUB-BASE ISO 1
EMBASE SIMPLE ISO 1
 SOTTOBASE SINGOLA ISO 1

CODE
SB40400100



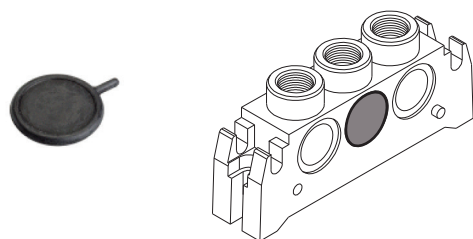
SINGLE SUB-BASE ISO 2
EMBASE SIMPLE ISO 2
 SOTTOBASE SINGOLA ISO 2

CODE
SB40460100



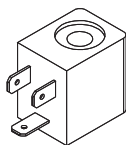
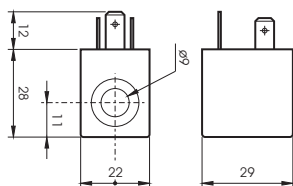
BLANKING PLATE ISO 1
PLAQUE DE FERMETURE ISO 1
 PIASTRINA DI CHIUSURA ISO 1

CODE
SB40400004



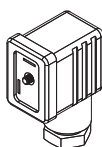
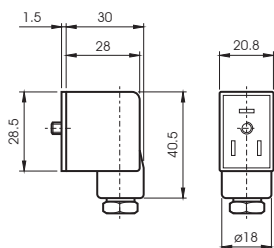
DIAPHRAGM GASKET
JOINT DIAPHRAGME
 GUARNIZIONE DIAFRAMMA

CODE
SB40400005



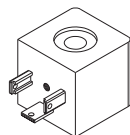
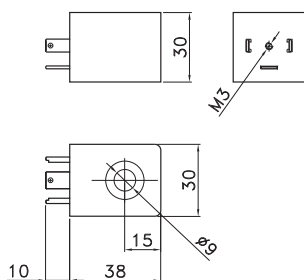
COILS 22mm
BOBINE 22mm
 BOBINE 22mm

CODE	Power / Consommation / Assorbimento		
	Tension	Rated	Inrush
BO4011012	12 VDC	3W	
BO4011024	24 VDC	3W	
BO4012024	24 VAC	5VA	7,5VA
BO4012110	110 VAC	5VA	7,5VA
BO4012220	220 VAC	5VA	7,5VA



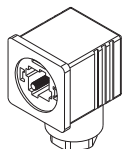
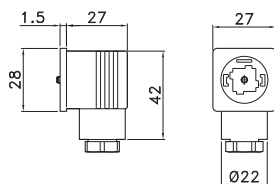
CONNECTORS
CONNECTEUR
 CONNETTORI

CODE	
AR40696	STANDARD
VX0014	LED 24V
VX0015	LED 110V
VX0016	LED 220V
VX0017	LED+VDR
VX0018	LED+VDR
VX0019	LED+VDR



COILS 30mm
BOBINE 30mm
 BOBINE 30mm

CODE	Power / Consommation / Assorbimento		
	Tension	Rated	Inrush
BO4021024	24 VDC	2W	
BO4022024	24 VAC	5VA	9VA
BO4022110	110 VAC	5VA	9VA
BO4022220	220 VAC	5VA	9VA



CONNECTORS
CONNECTEUR
 CONNETTORI

CODE	
VX0027	STANDARD
VX0028	LED 24V
VX0029	LED 110V
VX0030	LED 220V
VX0031	LED+VDR
VX0032	LED+VDR
VX0033	LED+VDR