



Extended range of manual valves with different operations: 90° lever, lever on top, drawer, with adaptor for all actuators on panel.
 Available in size 1/8 and 1/4, available functions are 3/2, 5/2, 5/3.
 Entirely in aluminium to grant strength and long durability.

Gamme très large de distributeurs à commande manuelle: à levier 90°, poussé tiré à bouton, montage sur panneau.
Disponible en taille 1/8 et 1/4, fonction 3/2, 5/2 et 5/3.
Sa construction en aluminium assure une grande robustesse et une très grande fiabilité.

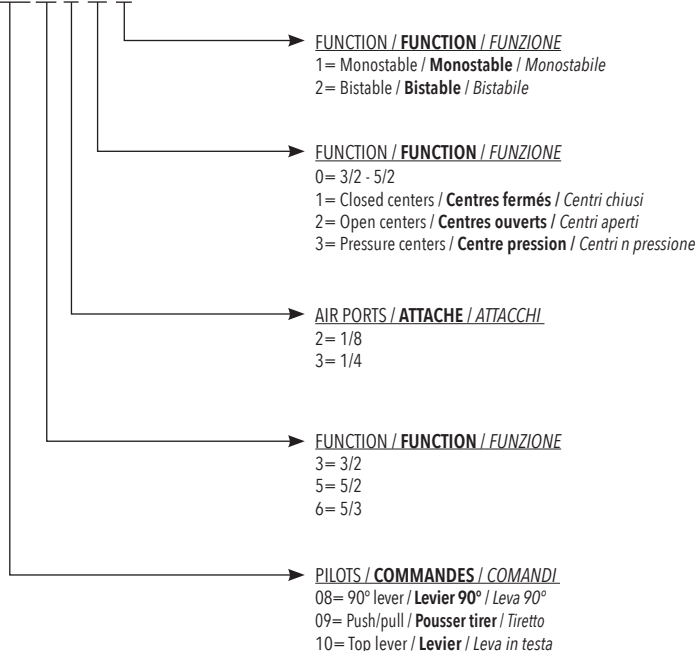
Vastissima gamma di valvole manuali caratterizzate da diverse tipologie di azionamenti: leva 90°, leva in testa, tiretto, con adattatore per ospitare tutti i tipi di attuatori a pannello.
 Sono disponibili nelle taglie 1/8 e 1/4 e nelle funzioni 3/2, 5/2 e 5/3.
 Costruzione interamente in alluminio per garantire robustezza e durata nel tempo.

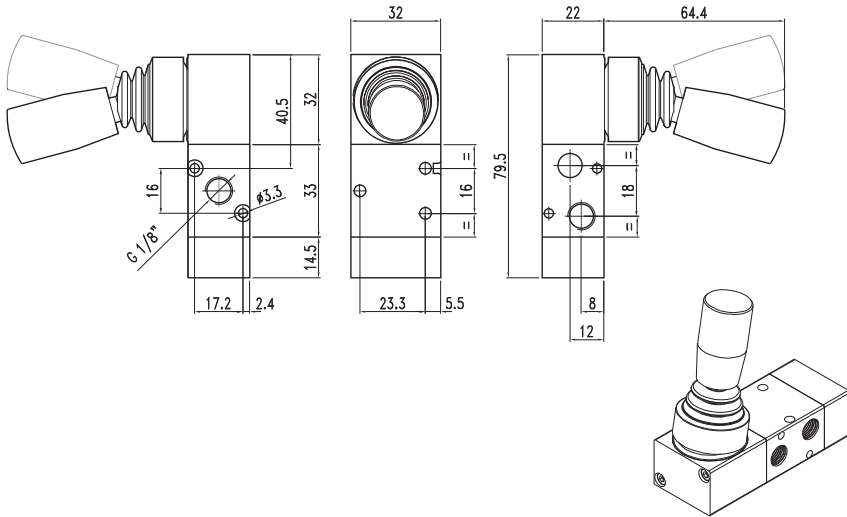
TECHNICAL DATA / DONNÉES TECHNIQUES / DATI TECNICI

Fluid / Fluide / Fluido	Lubricated or non lubricated air / Air lubrifié ou non / Aria con o senza lubrificazione
Temperature range / Température d'utilisation / Temperatura di esercizio	-10°C / +60°C
Max operating pressure / Pression max d'utilisation / Pressione massima di esercizio	10 bar
Nominal orifice / Diamètre nominal / Diametro nominale	1/8: 5 mm - 1/4: 7,5mm
Flow rate 6 bar Δp 1bar / Débit à 6 bar Δp 1bar / Portata a 6 bar Δp 1bar	1/8 = 550 NI/min. / 1/4 = 1100 NI/min.

ORDERING CODE / CODIFICATION / CHIAVE DI CODIFICA

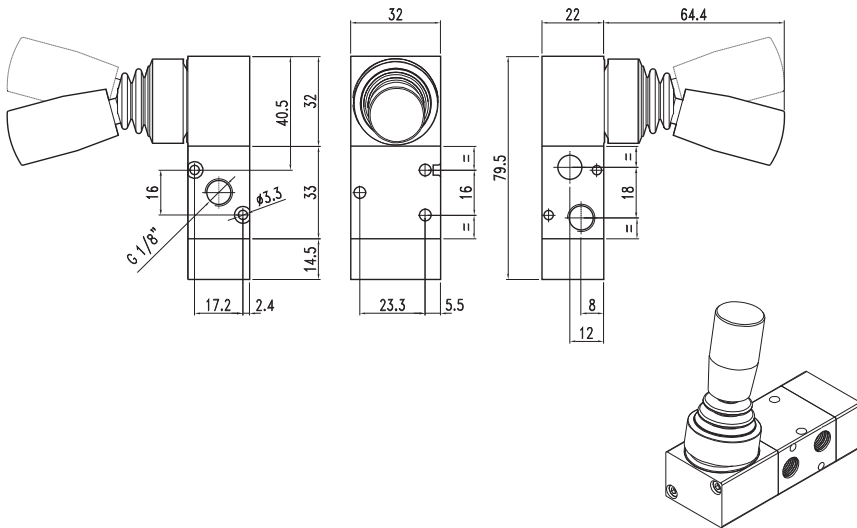
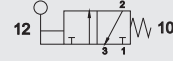
V M 4 0 1 0 0 8 5 2 0 1





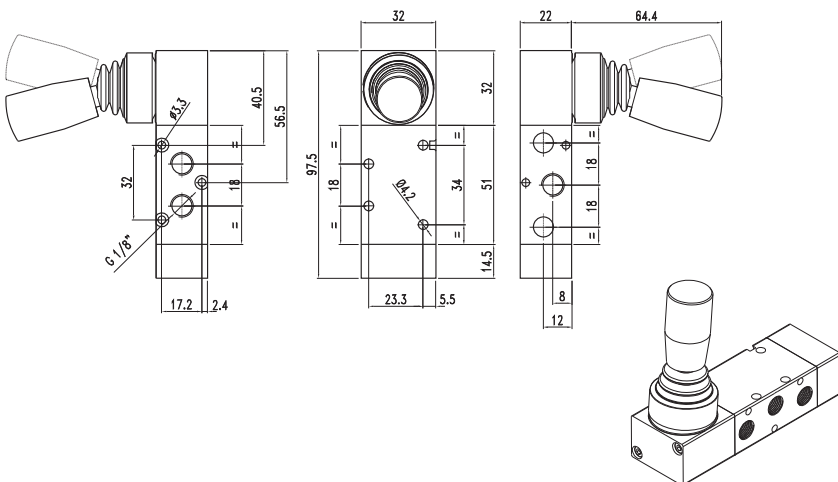
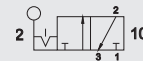
1/8 - 3/2 NC 90° lever monostable
1/8 - 3/2 NF levier 90° monostable
 1/8 - 3/2 NC leva 90° monostabile

CODE
VM4010083201



1/8 - 3/2 NC 90° lever bistable
1/8 - 3/2 NF levier 90° bistable
 1/8 - 3/2 NC leva 90° bistabile

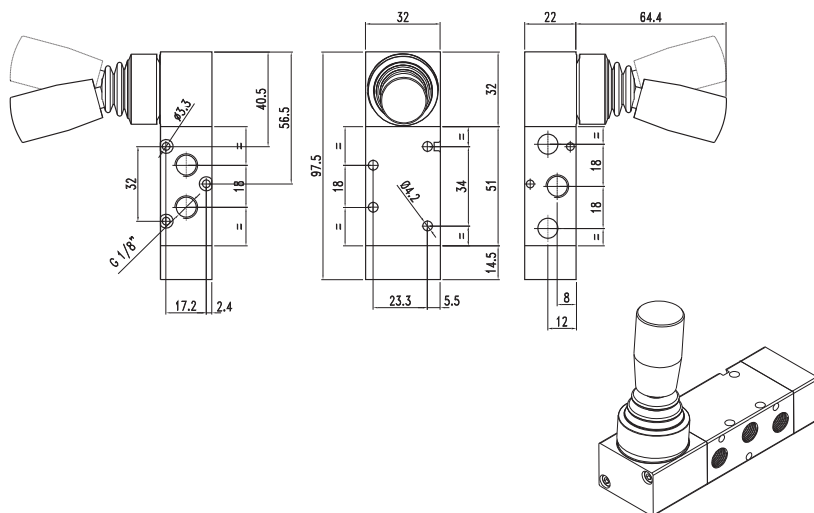
CODE
VM4010083202



1/8 - 5/2 leva 90° monostable
1/8 - 5/2 levier 90° monostable
 1/8 - 5/2 90° lever monostabile

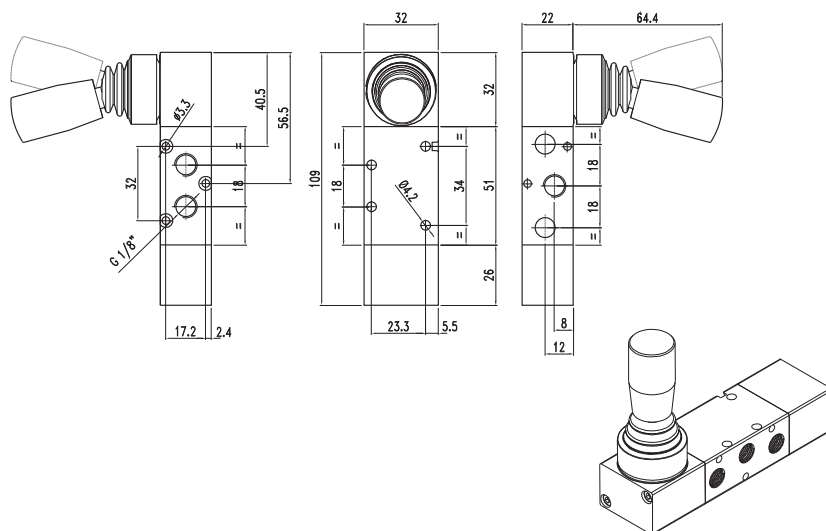
CODE
VM4010085201





1/8 - 5/2 90° lever bistable
1/8 - 5/2 levier 90° bistable
1/8 - 5/2 leva 90° bistabile

CODE
VM4010085202



1/8 - 5/3 90° lever monostable
1/8 - 5/3 levier 90° monostable
1/8 - 5/3 leva 90° monostabile

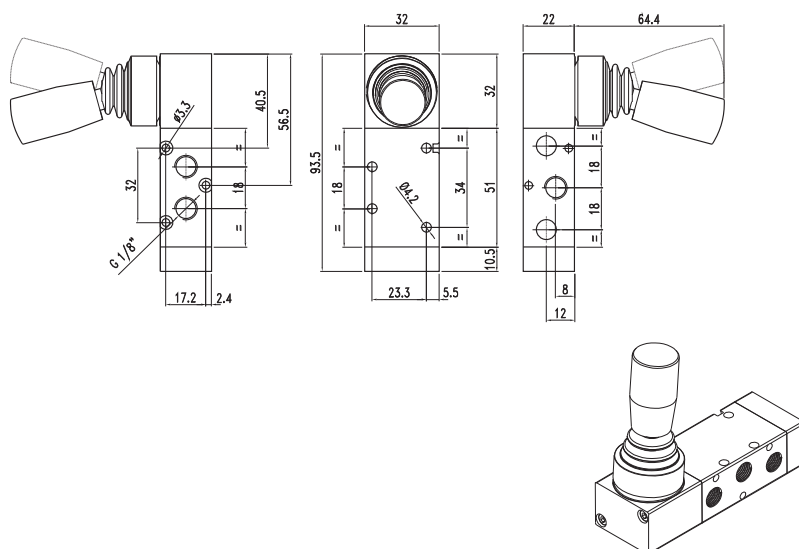
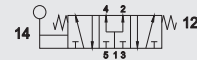
CODE
VM4010086211 CC / CF / CC



CODE
VM4010086221 CO / CO / CA

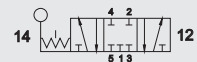


CODE
VM4010086231 CP / CP / CP



1/8 - 5/3 90° lever three positions stable
1/8 - 5/3 levier 90° trois positions stables
1/8 - 5/3 leva 90° tre posizioni stabili

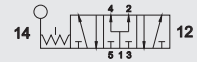
CODE
VM4010086212 CC / CF / CC

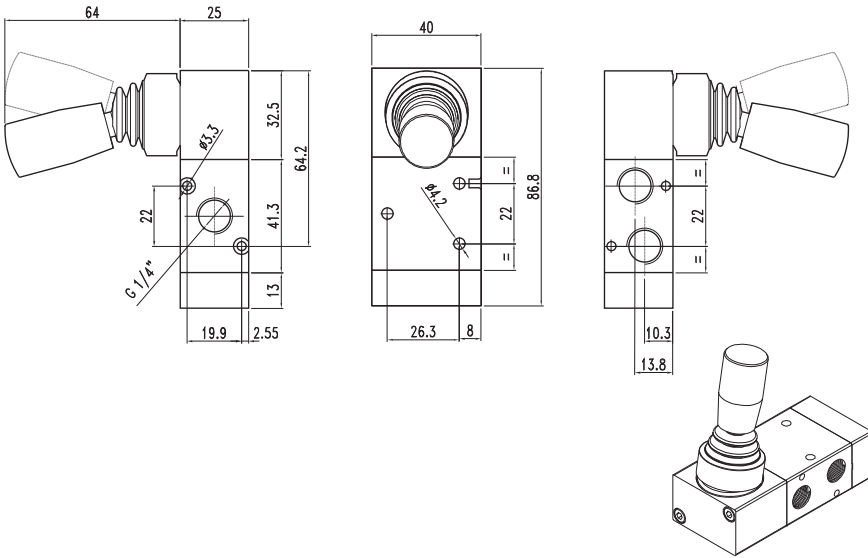


CODE
VM4010086222 CO / CO / CA



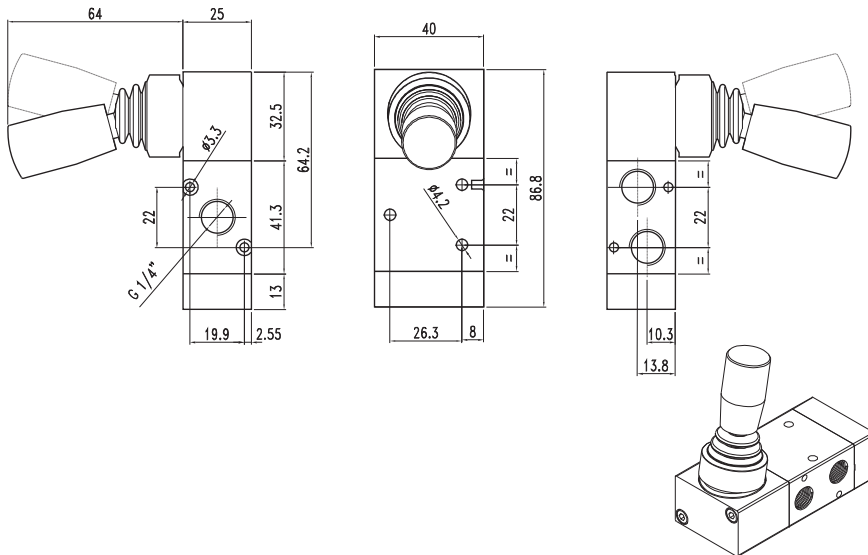
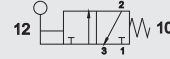
CODE
VM4010086232 CP / CP / CP





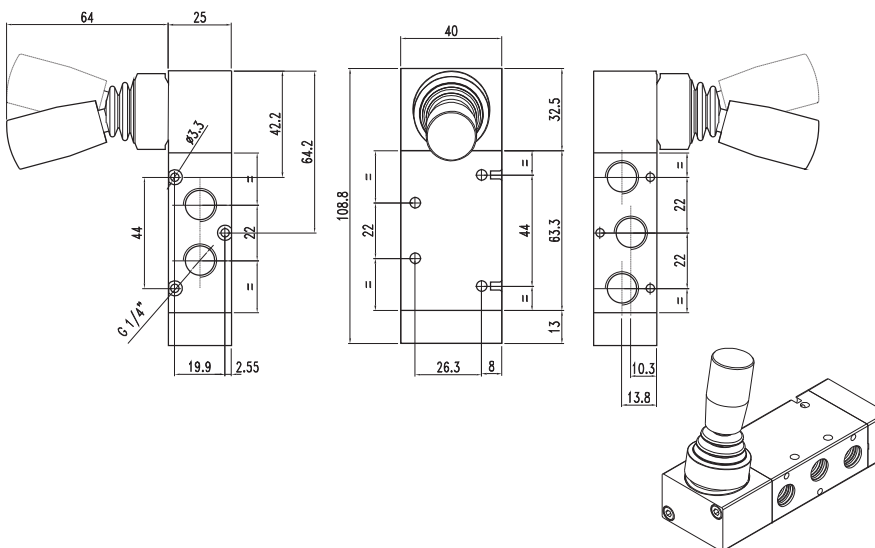
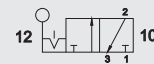
1/4 - 3/2 NC 90° lever monostable
1/4 - 3/2 NF levier 90° monostable
1/4 - 3/2 NC leva 90° monostabile

CODE
VM4010083301



1/4 - 3/2 NC 90° lever bistable
1/4 - 3/2 NF levier 90° bistable
1/4 - 3/2 NC leva 90° bistabile

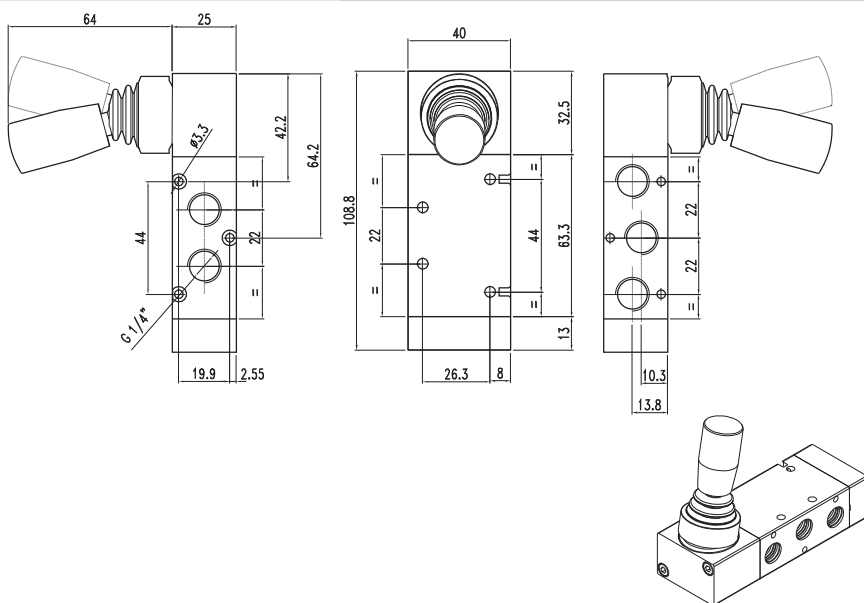
CODE
VM4010083302



1/4 - 5/2 90° lever monostable
1/4 - 5/2 levier 90° monostable
1/4 - 5/2 leva 90° monostabile

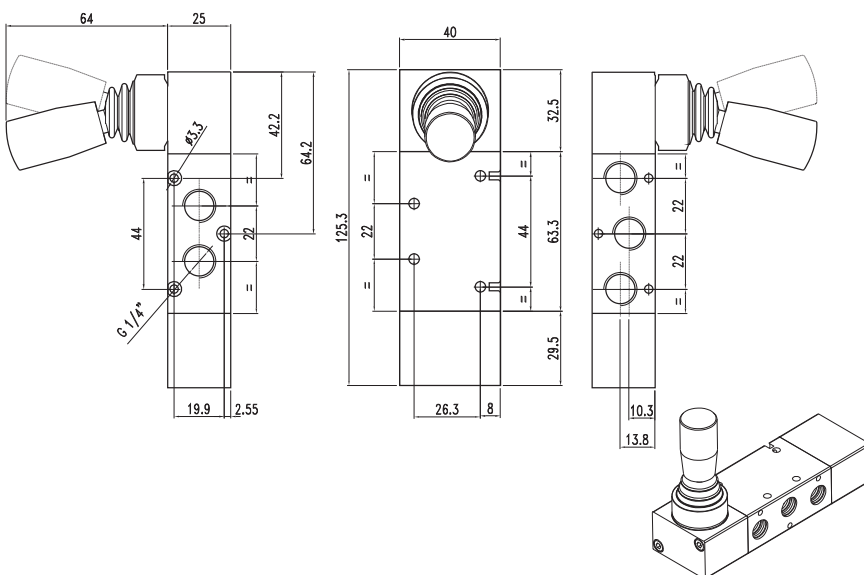
CODE
VM4010085301





1/4 - 5/2 90° lever bistable
1/4 - 5/2 levier 90° bistable
1/4 - 5/2 leva 90° bistabile

CODE
VM4010085302



1/4 - 5/3 90° lever monostable
1/4 - 5/3 levier 90° monostable
1/4 - 5/3 leva 90° monostabile

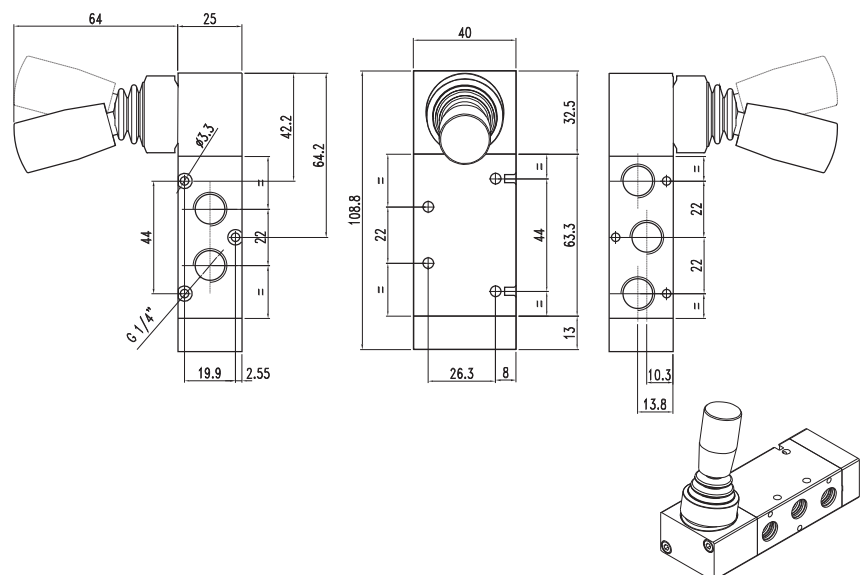
CODE
VM4010086311 CC / CF / CC



CODE
VM4010086321 CO / CO / CA



CODE
VM4010086331 CP / CP / CP



1/4 - 5/3 90° lever three stable positions
1/4 - 5/3 levier 90° trois positions stables
1/4 - 5/3 leva 90° tre posizioni stabili

CODE
VM4010086312 CC / CF / CC

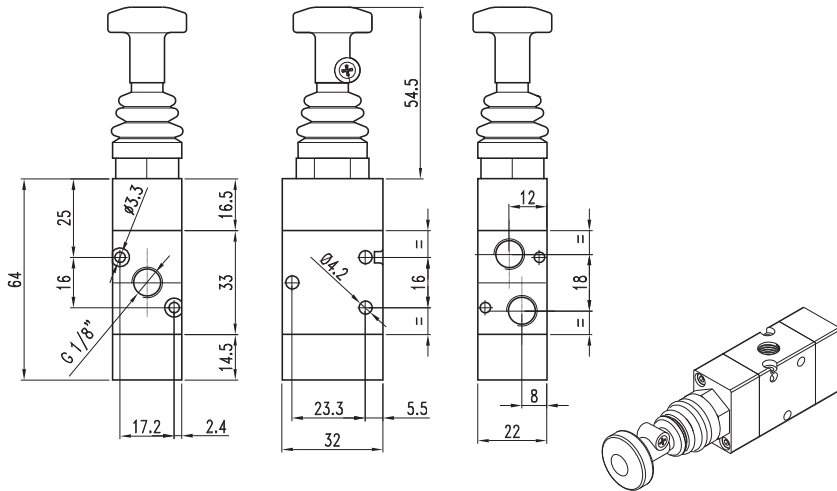


CODE
VM4010086322 CO / CO / CA



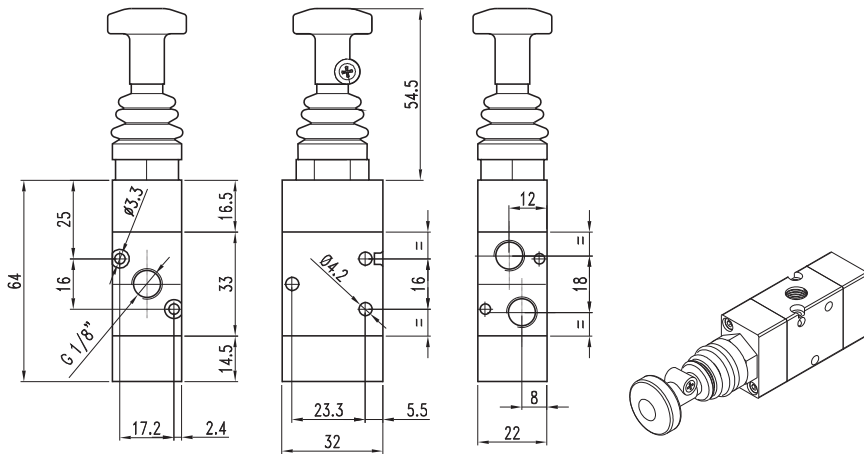
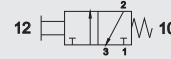
CODE
VM4010086332 CP / CP / CP





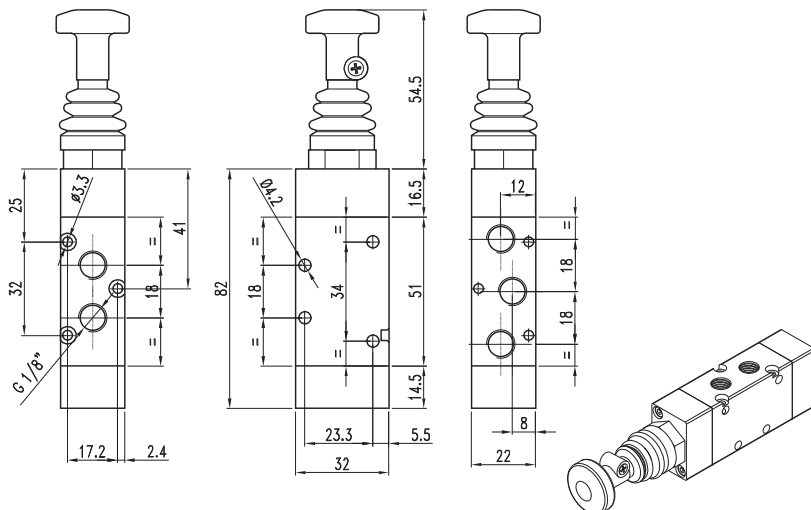
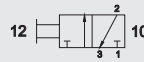
1/8 - 3/2 NC push/pull monostable
1/8 - 3/2 NF pousser tirer monostable
 1/8 - 3/2 NC tiretto monostabile

CODE
VM4010093201



1/8 - 3/2 NC push/pull bistable
1/8 - 3/2 NF pousser tirer bistable
 1/8 - 3/2 NC tiretto bistabile

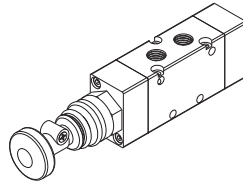
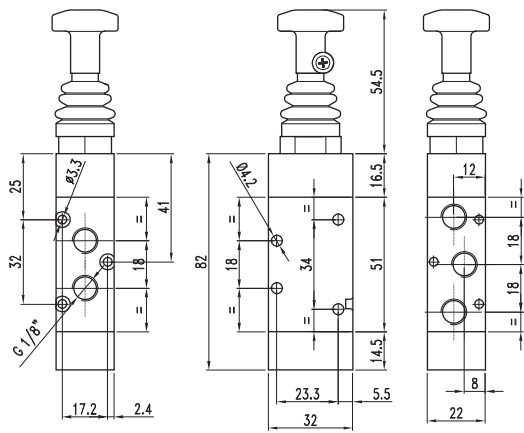
CODE
VM4010093202



1/8 - 5/2 push/pull monostable
1/8 - 5/2 pousser tirer monostable
 1/8 - 5/2 tiretto monostabile

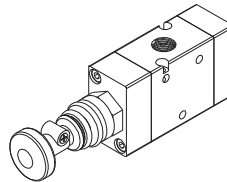
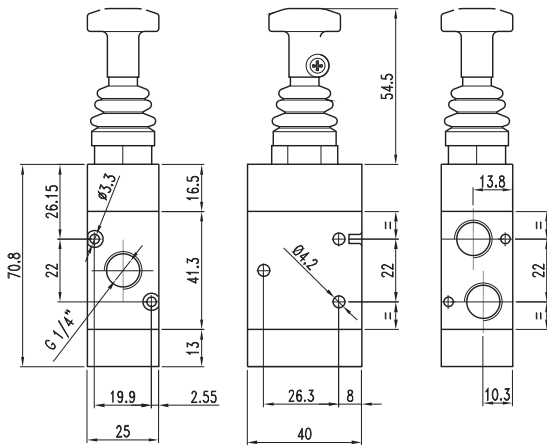
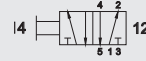
CODE
VM4010095201





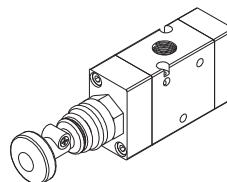
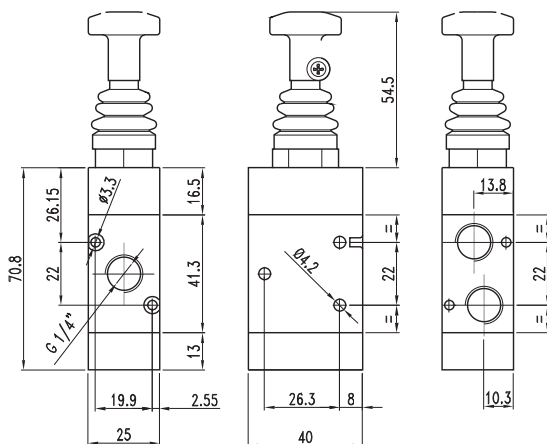
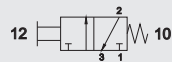
1/8 - 5/2 push/pull bistable
1/8 - 5/2 pousser tirer bistable
1/8 - 5/2 taretto bistabile

CODE
VM4010095202



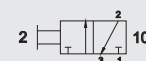
1/4 - 3/2 NC push/pull monostable
1/4 - 3/2 NF pousser tirer monostable
1/4 - 3/2 NC taretto monostabile

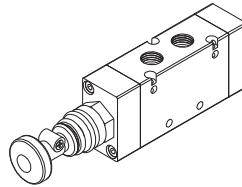
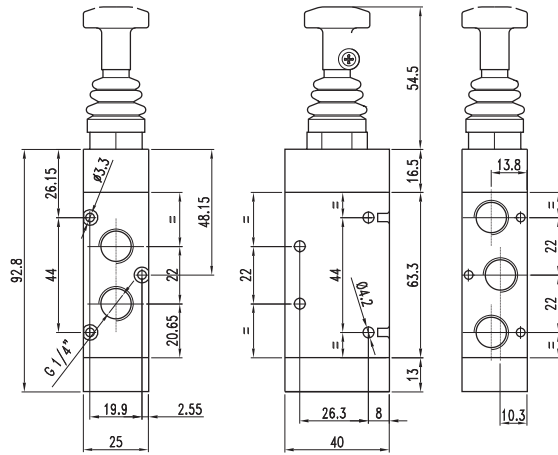
CODE
VM4010093301



1/4 - 3/2 NC push/pull bistable
1/4 - 3/2 NF pousser tirer bistable
1/4 - 3/2 NC taretto bistabile

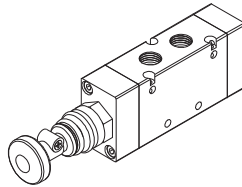
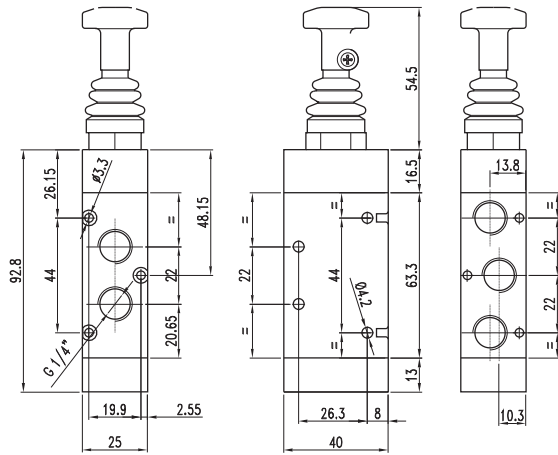
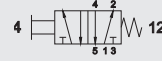
CODE
VM4010093302





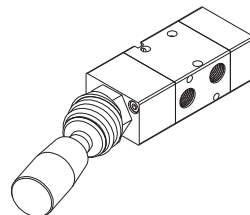
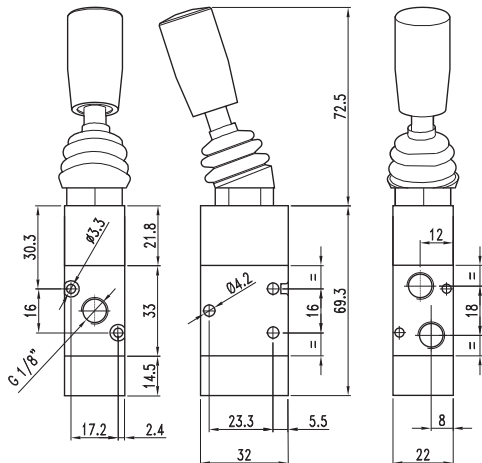
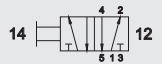
1/4 - 5/2 push/pull monostable
1/4 - 5/2 pousser tirer monostable
 1/4 - 5/2 taretto monostabile

CODE
VM4010095301



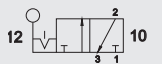
1/4 - 5/2 push/pull bistable
1/4 - 5/2 pousser tirer bistable
 1/4 - 5/2 taretto bistabile

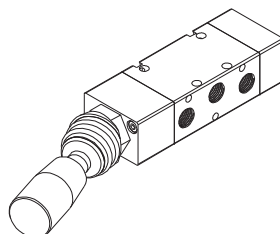
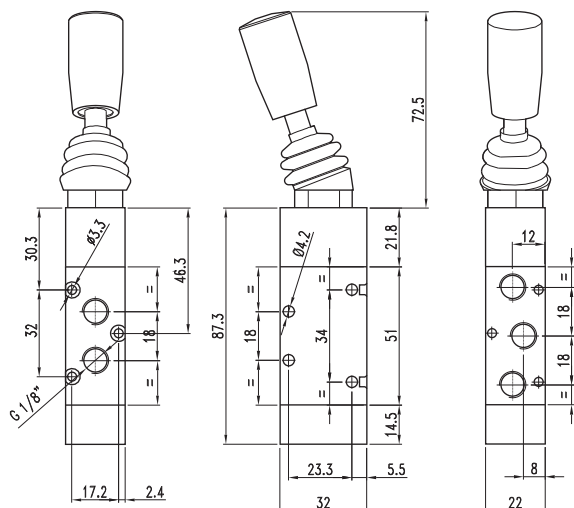
CODE
VM4010095302



1/8 - 3/2 NC lever in top bistable
1/8 - 3/2 NF levier bistable
 1/8 - 3/2 NC leva in testa bistabile

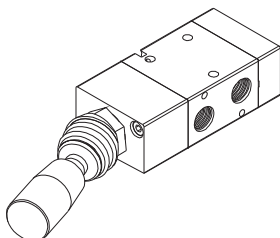
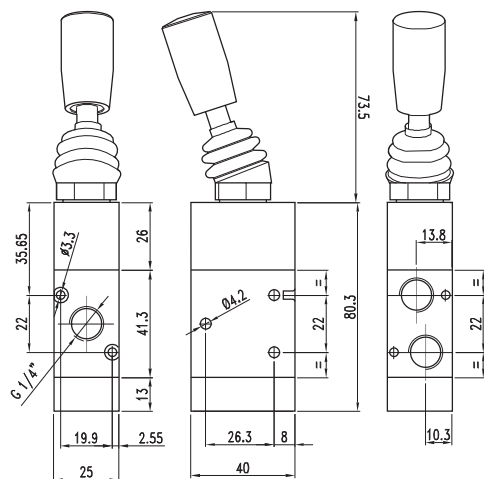
CODE
VM4010103202





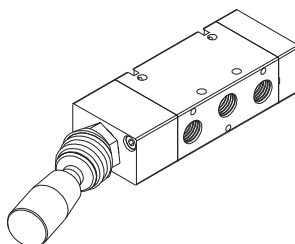
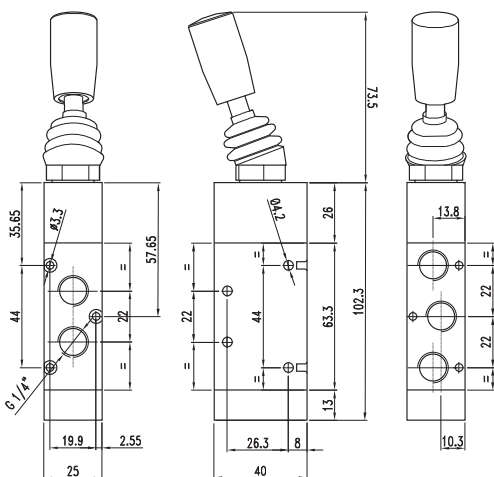
1/8 - 5/2 top lever bistable
1/8 - 5/2 levier bistable
1/8 - 5/2 leva in testa bistabile

CODE
VM4010105202



1/4 - 3/2 NC top lever bistable
1/4 - 3/2 NF levier bistable
1/4 - 3/2 NC leva in testa bistabile

CODE
VM4010103302



1/4 - 5/2 top lever bistable
1/4 - 5/2 levier bistable
1/4 - 5/2 leva in testa bistabile

CODE
VM4010105302

