



Airwork's rodless cylinders are born from the requirement to reduce dimensions while granting the same stroke. They are available in several versions and the bores vary from 25 to 63 mm. Main feature of this cylinder is the exceptional toughness of the guide while the sealing system guarantees a long life of the cylinder also in presence of high temperature and speed.

Le vérin sans tige AIRWORK est utilisé pour des besoins de grandes courses et de faibles dimensions. Il existe différentes versions et les diamètres vont du diamètre 25 au diamètre 63mm. Ses caractéristiques principales résident dans la robustesse de son piston par rapport à la charge véhiculée et dans son déplacement rapide même en présence d'une température élevée.

Il cilindro senza stelo di Airwork nasce dall'esigenza di ottenere lunghe corse mantenendo ingombri contenuti.

È fornito in diverse versioni e gli alesaggi variano da 25 a 63 mm. I pregi principali di questo cilindro sono l'eccezionale robustezza del pistone/carrello e il sistema di tenuta che garantisce una lunga vita del cilindro anche in presenza di temperature e velocità elevate.

### ORDERING CODE / CODIFICATION / CHIAVE DI CODIFICA

S S 0 0 1 0 0 0 0 0 0

- Stroke / Course / Corsa
- Ø cylinder / Ø vérin / Ø cilindro
- AIR CONNECTIONS / ALIMENTATION AIR / ALIMENTAZIONI ARIA  
01= Standard / Standard / Standard  
02= With connections on one side / Avec alimentations sur un côté / Con connessioni su un lato
- VERSION / VERSION / VERSIONI  
01= Standard / Standard / Standard  
03= Short / Court / Corto  
05= Standard guided / Guide standard / Standard guidato  
07= Short guided / Guide court / Corto guidato  
10= Standard with guide with ball bushings / Standard avec guide roulement à sphère / Standard con guida a ricircolo di sfere  
13= Short with guide ball bushings / Court avec guide roulement à sphère / Corto con guida a ricircolo di sfere

### TECHNICAL DATA / DONNÉES TECHNIQUES / DATI TECNICI

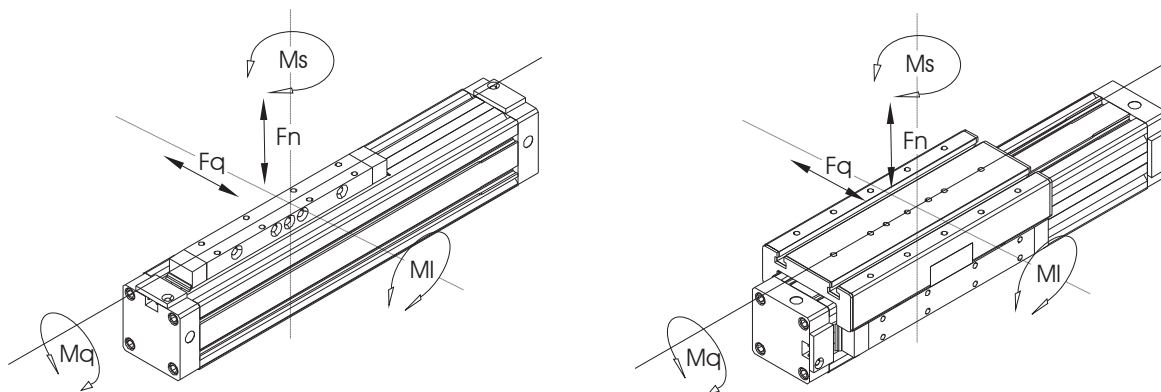
Fluid / <b>Fluide</b> / Fluido	Lubricated or non lubricated air / <b>Air avec ou sans lubrification</b> / Aria con o senza lubrificazione
Operating temperature range / <b>Température d'utilisation</b> / Temperatura di esercizio	-10°C / +70°C
Max operating pressure / <b>Pression max d'utilisation</b> / Pressione massima di esercizio	1-8 bar
Maximum speed / <b>Vitesse max</b> / Velocità massima	2.0 m/sec
Maximum stroke / <b>Course max</b> / Corsa massima	[Ø25 - Ø32: 6000mm] - [Ø40: 5950mm] - [Ø50: 5910mm] - [Ø63: 5860mm]

### WEIGHTS / POIDS / PESI

	Ø25	Ø32	Ø40	Ø50	Ø63
Mass at 0 mm / <b>Poids a 0 mm</b> / Peso a 0 mm	0.88 kg	1.40 kg	2.41 kg	5.30 kg	8.10 kg
Poids + 100 mm / <b>Poids additionnel 100 mm</b> / Peso aggiuntivo 100 mm	0.30 kg	0.39 kg	0.52 kg	0.96 kg	1.32 kg

### COMPONENTS / COMPOSANTS / COMPONENTI

Caps / <b>Nez et fonds</b> / Testate	Anodized aluminium / <b>Aluminium anodisé</b> / Alluminio anodizzato
Profile / <b>Profile</b> / Profilo	Anodized aluminium / <b>Aluminium anodisé</b> / Alluminio anodizzato
Piston / <b>Piston</b> / Pistone	Acetal / <b>Resine acetale</b> / Resina acetica
Piston seals / <b>Joints piston</b> / Guarnizioni pistone	Polyurethane / <b>PU</b> / Poliuretano
Sealing strip / <b>Bande interne</b> / Bandella di tenuta	Polyurethane / <b>PU</b> / Poliuretano
Cover strip / <b>Bande externe</b> / Bandella di copertura	Stainless steel / <b>Acier inox</b> / Acciaio inossidabile
Screws of fixing / <b>Vis de fixations</b> / Viti di fissaggio	Stainless steel / <b>Acier inox</b> / Acciaio inossidabile



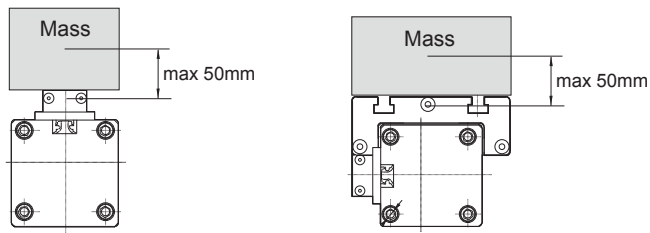
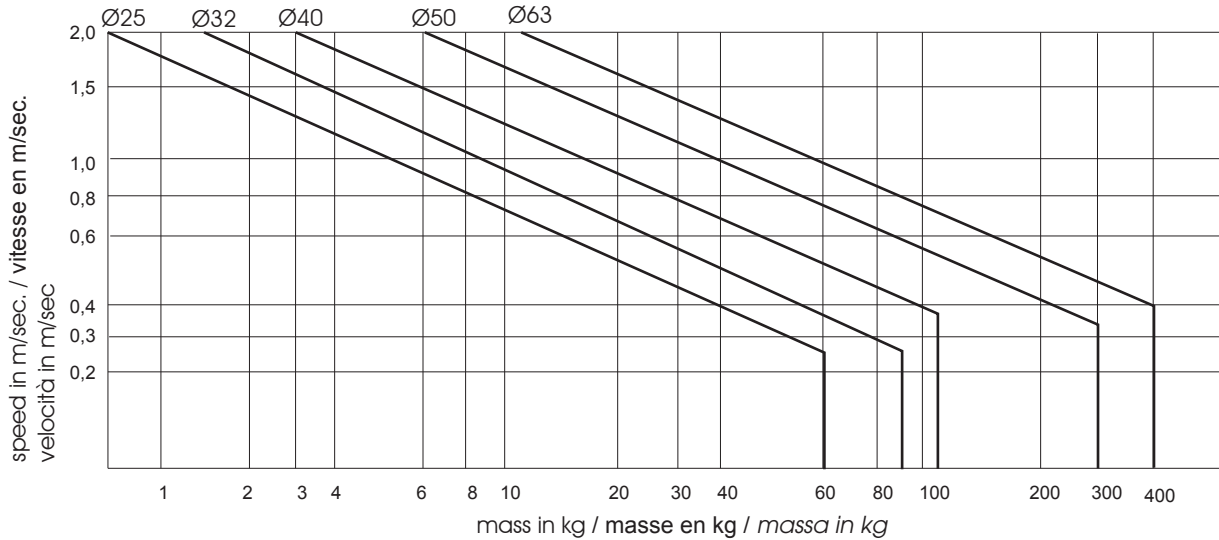
TYPE	Ø	Operating force Force de manœuvre Forza operativa (6bar)	Fn max	Fq max	MI max	Mq max	Ms max
SS01125	25	255 N	270 N	-	13 Nm	2.5 Nm	11 Nm
SS03125	25	255 N	270 N	-	8 Nm	2.0 Nm	7 Nm
SS05125	25	250 N	580 N	580 N	23 Nm	10.0 Nm	23 Nm
SS07125	25	250 N	340 N	340 N	9 Nm	5.0 Nm	9 Nm
SS10125	25	250 N	850 N	1300 N	65 Nm	35 Nm	105 Nm
SS13125	25	250 N	850 N	1300 N	29 Nm	35 Nm	64 Nm
SS01132	32	420 N	300 N	-	30 Nm	3.0 Nm	24 Nm
SS03132	32	420 N	300 N	-	15 Nm	3.0 Nm	12 Nm
SS05132	32	410 N	850 N	850 N	33 Nm	15.0 Nm	33 Nm
SS07132	32	410 N	460 N	460 N	14 Nm	6.5 Nm	14 Nm
SS10132	32	410 N	900 N	1500 N	79 Nm	40.0 Nm	125 Nm
SS13132	32	410 N	900 N	1500 N	36 Nm	40.0 Nm	76 Nm
SS01140	40	655 N	650 N	-	60 Nm	4.0 Nm	54 Nm
SS03140	40	655 N	650 N	-	30 Nm	4.0 Nm	27 Nm
SS05140	40	640 N	1120 N	1120 N	60 Nm	25.0 Nm	60 Nm
SS07140	40	640 N	600 N	600 N	25 Nm	11.0 Nm	25 Nm
SS10140	40	640 N	1200 N	2000 N	190 Nm	67.0 Nm	118 Nm
SS13140	40	640 N	1200 N	2000 N	85 Nm	67.0 Nm	72 Nm
SS01150	50	1000 N	800 N	-	80 Nm	17.0 Nm	74 Nm
SS03150	50	1000 N	800 N	-	38 Nm	17.0 Nm	32 Nm
SS05150	50	1000 N	1550 N	1500 N	200 Nm	70.0 Nm	200 Nm
SS07150	50	1000 N	820 N	800 N	60 Nm	40.0 Nm	60 Nm
SS10150	50	1000 N	4100 N	2000 N	157 Nm	45.0 Nm	170 Nm
SS13150	50	1000 N	1800 N	2000 N	67 Nm	45.0 Nm	106 Nm
SS01163	63	1600 N	1400 N	-	110 Nm	17.0 Nm	100 Nm
SS03163	63	1600 N	1400 N	-	50 Nm	17.0 Nm	48 Nm
SS05163	63	1600 N	2000 N	2000 N	300 Nm	52.0 Nm	208 Nm
SS07163	63	1600 N	1100 N	1100 N	105 Nm	56.0 Nm	105 Nm
SS10163	63	1600 N	5000 N	2000 N	196 Nm	52.0 Nm	208 Nm
SS13163	63	1600 N	2500 N	2000 N	99 Nm	52.0 Nm	134 Nm

CUSHIONING DIAGRAM / DIAGRAMME D'AMORTISSEMENT / DIAGRAMMA DI AMMORTIZZO

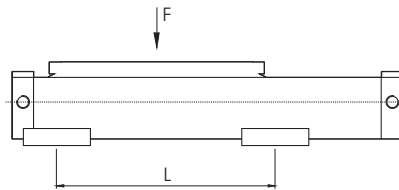
If the application is out of the diagram range, an external shock absorber is required. The mounting position of shock absorbers must be close to the center of the mass.

**Si la charge à amortir est plus importante il est nécessaire d'utiliser un amortisseur de choc. Cet amortisseur doit être positionné horizontalement vers le centre de la masse.**

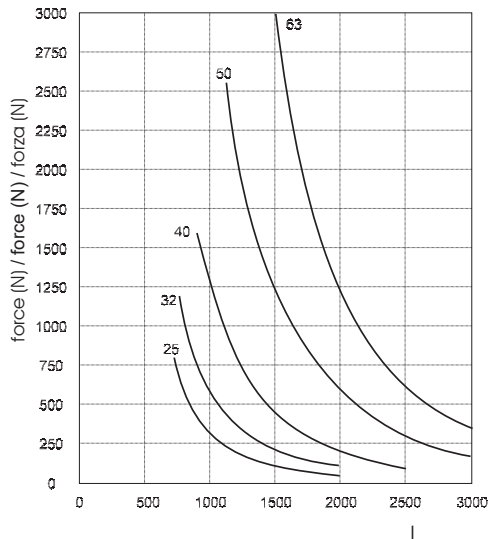
*Se l'applicazione è fuori dal diagramma, viene richiesto un ammortizzatore esterno. La posizione di montaggio degli ammortizzatori deve essere vicino al centro della massa. I dati si riferiscono ad una posizione di montaggio orizzontale.*



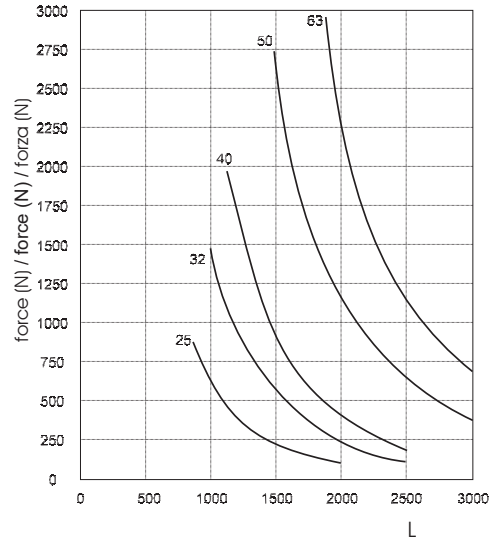
DEFLECTION WITH LOAD / CHARGE AVEC FLEXION / CARICO CON FLESSIONE



LOAD OF DEFLECTION OF 0,5 mm  
 CHARGE AVEC FLEXION DE 0,5 mm  
 CARICO CON FLESSIONE DI 0,5 mm



LOAD OF DEFLECTION OF 1 mm  
 CHARGE AVEC FLEXION DE 1 mm  
 CARICO CON FLESSIONE DI 1 mm



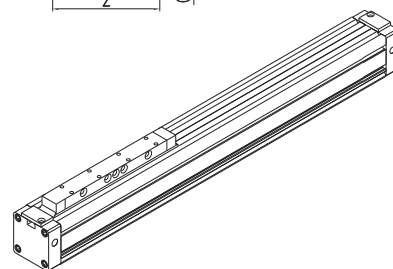
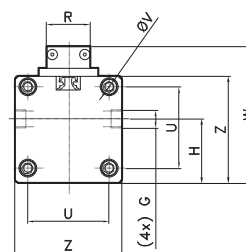
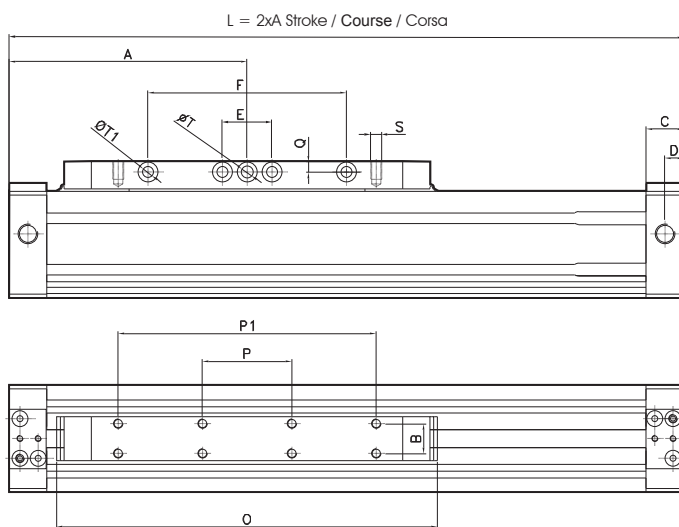
Standard  
**Standard**  
 Standard

CODE: SS011.Ø.mm



Actuators / Actionneurs / Attuatori

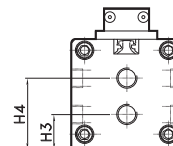
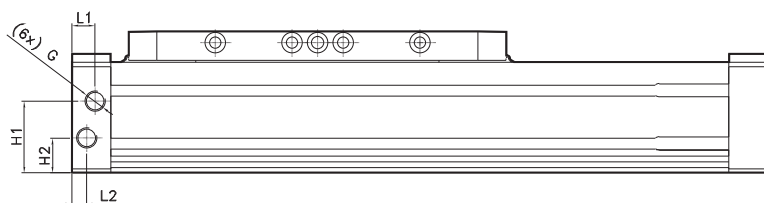
RODLESS CYLINDERS / VERINS SANS TIGE / CILINDRI SENZA STELO



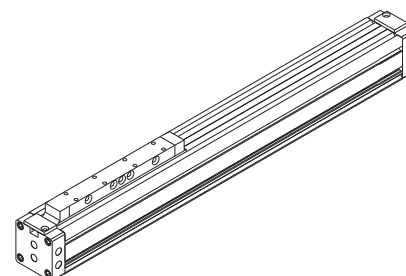
Ø	A	B	C	D	E	F	G	H	O	P	P1	Q	R	S	T	T1	U	V	Z	W
25	100	15	19	9.5	25	70	G1/8"	25	149.5	50	90	5	22	M5x7	6	4.5	36	M4x11	45	60
32	120	15	19	9.5	25	100	G1/8"	32	184.5	45	130	5.5	22	M5x7	6	5.5	41	M5x11	54	69
40	150	15	23	11.5	25	130	G1/4"	38	222.5	90	160	7	22	M5x9	7	6.5	49	M6x12	64	82
50	175	34	30	17	35	180	G3/8"	59	262	60	150	9	46	M8x16	10	8.5	65	M8x17	90	115
63	200	34	30	17	50	180	G3/8"	68.5	300	80	240	9.5	46	M8x16	10	8.5	78	M8x17	106	131

Standard with connections on one side  
**Standard avec alimentations sur un côté**  
 Standard con connessioni su un lato

CODE: SS012.Ø.mm

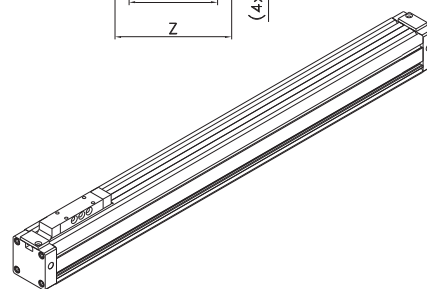
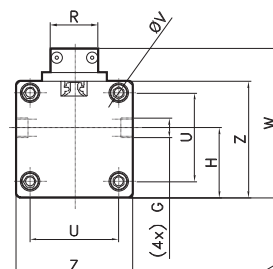
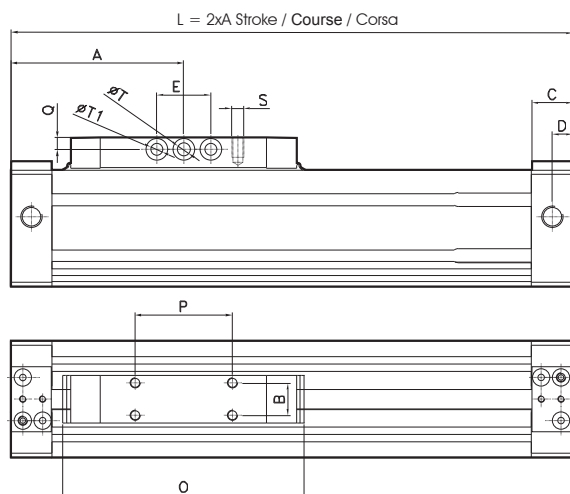


Ø	H1	H2	H3	H4	L1	L2	G
25	28.5	13.5	13.5	29.5	11	8	G1/8"
32	34.5	17.5	17.5	34.5	9.5	9.5	G1/8"
40	42.5	20.5	15.5	38	11.5	11.5	G1/4"
50	59	29	29.5	59	17	17	G3/8"
63	68.5	34	34	68.5	17	17	G3/8"



Short  
**Court**  
 Corto

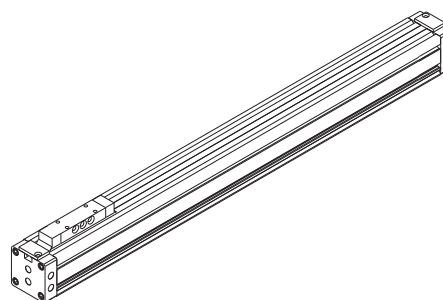
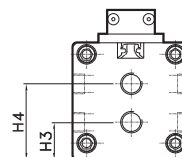
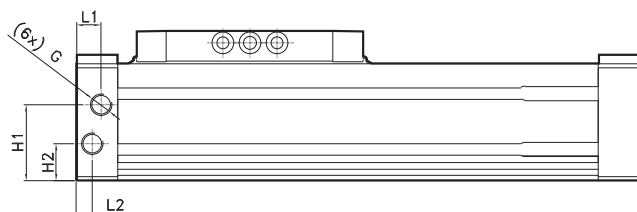
CODE: SS031.Ø.mm



Ø	A	B	C	D	E	G	H	O	P	Q	R	S	T	T1	T	V	Z	W
25	67.5	15	19	9.5	25	G1/8"	25	84.5	35	5	22	M5x7	6	4.5	36	M4x11	45	60
32	77.5	15	19	9.5	25	G1/8"	32.5	99.5	45	5.5	22	M5x7	6	5.5	41	M5x11	54	69
40	95	15	23	11.5	25	G1/4"	38.5	112.5	50	7	22	M5x9	7	6.5	49	M6x12	64	82
50	105	34	30	17	35	G3/8"	59	122	64	9	46	M8x16	10	8.5	65	M8x17	90	115
63	125	34	30	17	50	G3/8"	68.5	150	80	9.5	46	M8x16	10	8.5	78	M8x17	106	131

Short with connections on one side  
**Court avec alimentations sur un côté**  
 Corto con connessioni su un lato

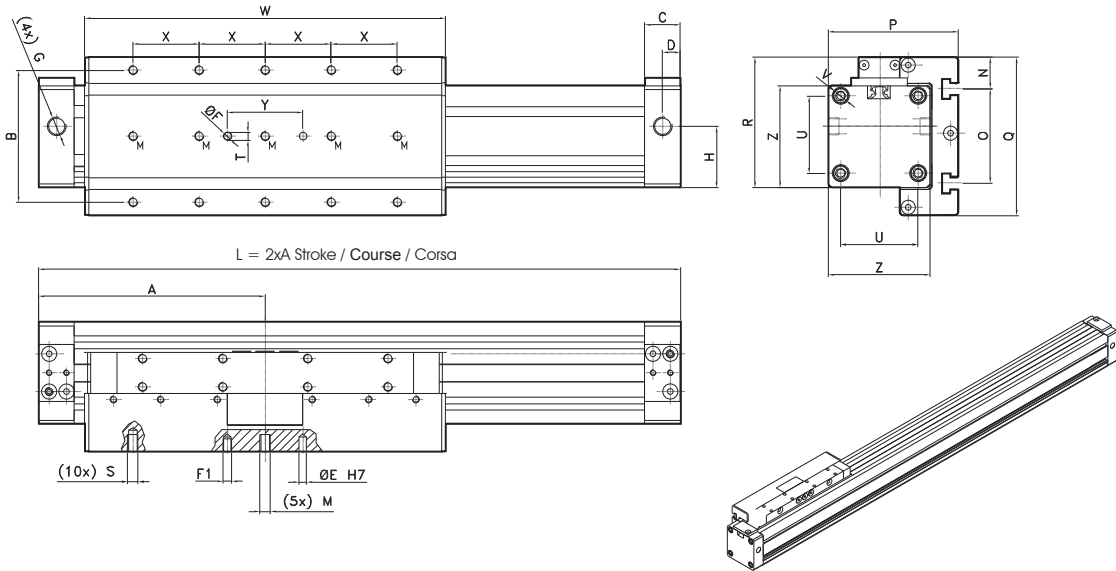
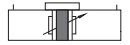
CODE: SS032.Ø.mm



Ø	H1	H2	H3	H4	L1	L2	G
25	28.5	13.5	13.5	29.5	11	8	G1/8"
32	34.5	17.5	17.5	34.5	9.5	9.5	G1/8"
40	42.5	20.5	15.5	38	11.5	11.5	G1/4"
50	59	29	29.5	59	17	17	G3/8"
63	68.5	34	34	68.5	17	17	G3/8"

Standard guided  
**Guide standard**  
 Standard guidato

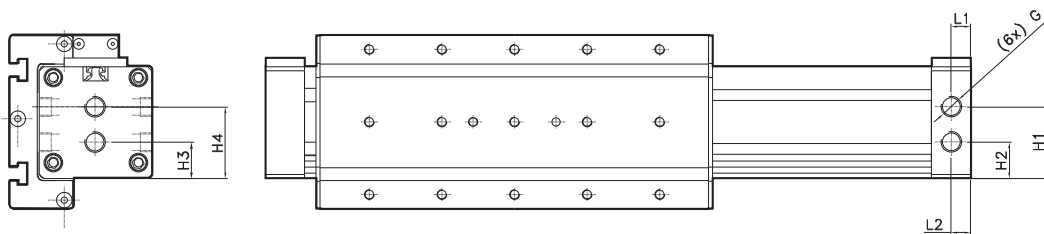
CODE: SS051.Ømm



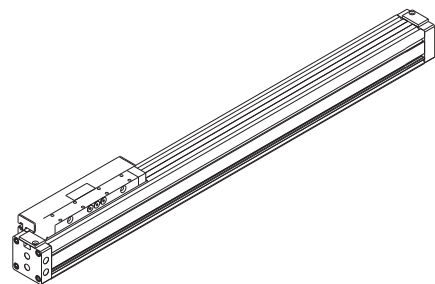
Ø	A	B	C	D	E	F	F1	G	H	M	N	O	P	Q	R	S	T	U	V	Z	X	Y	W
25	100	30	19	9.5	4x5.5	4x5.5	4.5x4.5	G1/8"	25	-	12.5	50	59	75	60	M5x8	4	36	M4x11	45	30	40	159
32	120	70	19	9.5	4x8	4x8	4.5x7	G1/8"	32	M5x9	17	50	69	84	69	M5x11	4	41	M5x11	54	35	40	191
40	150	55	23	11.5	6x8	6x8	6.5x7	G1/4"	38	-	10	80	79	100	82	M6x12	6	49	M6x12	64	55	40	246
50	175	42	30	17	6x3	-	6.5x3	G3/8"	59	-	23	94	112.5	133	115	M8x16	6	65	M8x17	90	50	40	270
63	200	60	30	17	6x6.5	-	6.5x6.5	G3/8"	68.5	-	24	110	134.5	150	132	M8x16	6	78	M8x17	106	60	40	320

Standard guided with connections on one side  
**Standard avec alimentations sur un côté**  
 Standard guidato con connessioni su un lato

CODE: SS052.Ømm

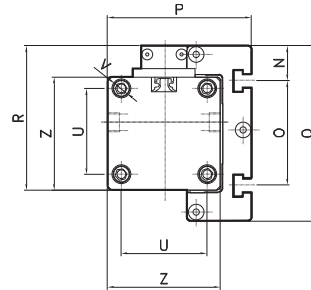
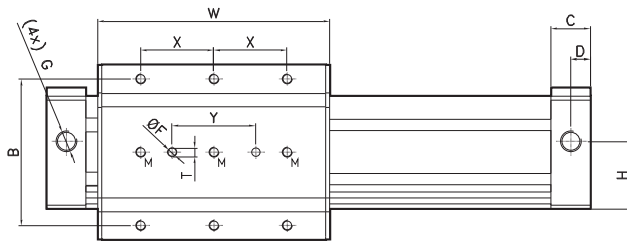
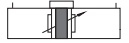


Ø	H1	H2	H3	H4	L1	L2	G
25	28.5	13.5	13.5	29.5	11	8	G1/8"
32	34.5	17.5	17.5	34.5	9.5	9.5	G1/8"
40	42.5	20.5	15.5	38	11.5	11.5	G1/4"
50	59	29	29.5	59	17	17	G3/8"
63	68.5	34	34	68.5	17	17	G3/8"

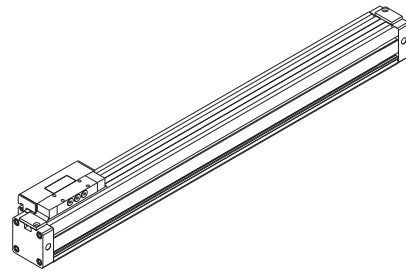
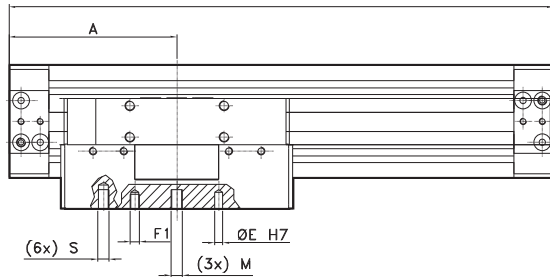


Short guided  
Guidage court  
Corto guidato

CODE: SS071.Ø.mm



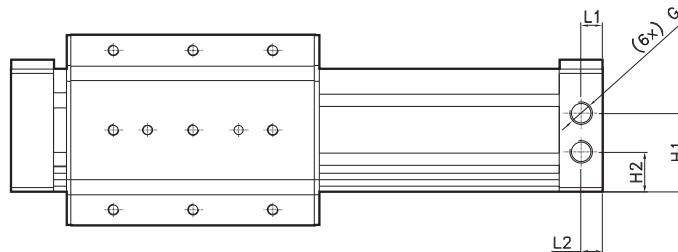
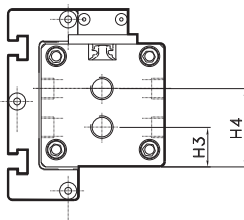
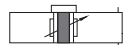
$L = 2 \times A$  Stroke / Course / Corsa



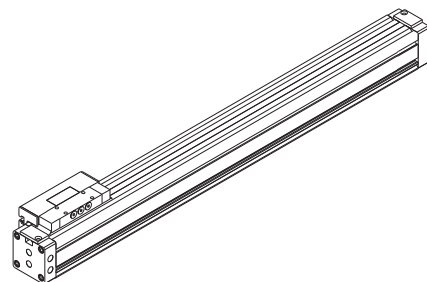
Ø	A	B	C	D	E	F	F1	G	H	M	N	O	P	Q	R	S	T	U	V	Z	X	Y	W
25	67.5	30	19	9.5	4x5.5	4x5.5	4.5x4.5	G1/8"	25	-	12.5	50	59	75	60	M5x8	4	36	M4x11	45	30	40	94
32	77.5	70	19	9.5	4x8	4x8	4.5x7	G1/8"	32.5	M5x9	17	50	69	84	69	M5x11	4	41	M5x11	54	35	40	106
40	95	55	23	11.5	6x8	6x8	6.5x7	G1/4"	38.5	-	10	80	79	100	82	M6x12	6	49	M6x12	64	55	40	136
50	105	42	30	17	6x3	-	6.5x3	G3/8"	59	-	23	94	112.5	133	115	M8x16	6	65	M8x17	90	50	40	148
63	125	60	30	17	6x6.5	-	6.5x6.5	G3/8"	68.5	-	24	110	134.5	150	132	M8x16	6	78	M8x17	106	60	40	180

Short guided with connections on one side  
Court avec alimentations sur un côté  
Corto guidato con connessioni su un lato

CODE: SS072.Ø.mm

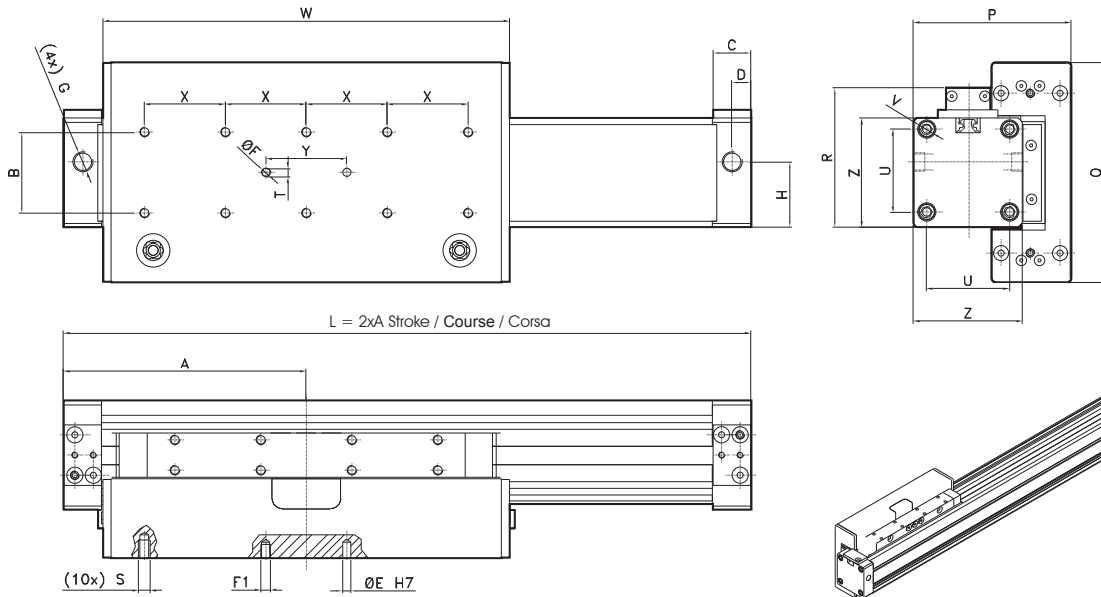


Ø	H1	H2	H3	H4	L1	L2	G
25	28.5	13.5	13.5	29.5	11	8	G1/8"
32	34.5	17.5	17.5	34.5	9.5	9.5	G1/8"
40	42.5	20.5	15.5	38	11.5	11.5	G1/4"
50	59	29	29.5	59	17	17	G3/8"
63	68.5	34	34	68.5	17	17	G3/8"



Standard with guida ball bushings  
**Standard avec roulement à sphere**  
 Standard con guida a ricircolo di sfere

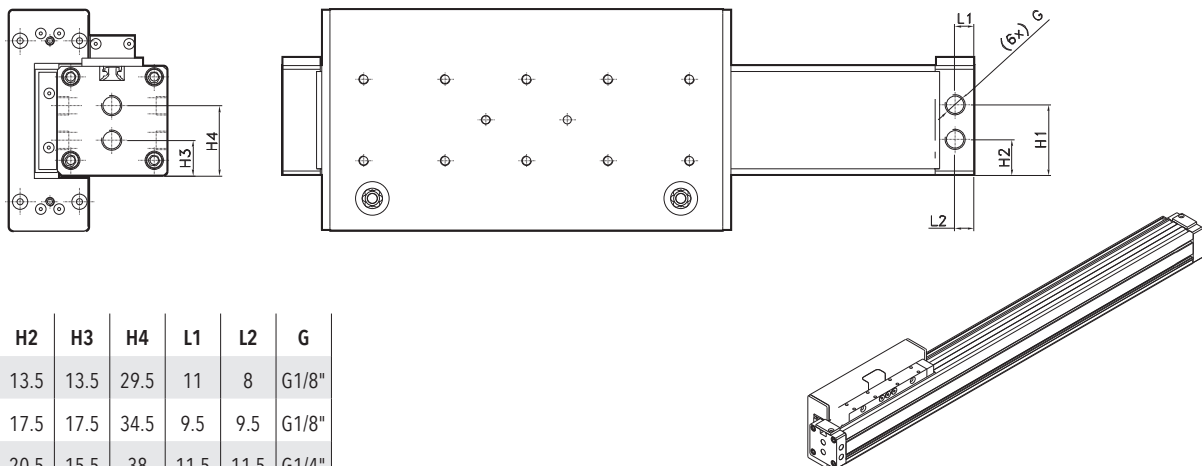
CODE: SS101.Ø.mm



Ø	A	B	C	D	E	F	F1	G	H	P	Q	R	S	T	U	V	Z	X	Y	W
25	100	40	19	9.5	4x8	4x8	4.5x7	G1/8"	25	68	97	60	M5x7.5	4	36	M4x11	45	40	40	160
32	120	40	19	9.5	4x8	4x8	4.5x7	G1/8"	32.5	78	109	69	M6x9	4	41	M5x11	54	40	40	201
40	150	55	23	11.5	6x8	6x8	6.5x7	G1/4"	38	90.5	145	82	M6x12	6	49	M6x12	64	55	40	252
50	175	55	30	17	6x3.5	6x3.5	6.5x3	G3/8"	59	120	164	115	M8x15	6	65	M8x17	90	55	40	270
63	200	70	30	17	6x7	6x7	6.5x6.5	G3/8"	68.5	137	180	132	M8x17	6	78	M8x17	106	70	40	320

Standard with guida ball bushings with connections on one side  
**Standard roulement a sphere avec alimentations sur un côté**  
 Standard con guida a ricircolo di sfere con connessioni su un lato

CODE: SS102.Ø.mm

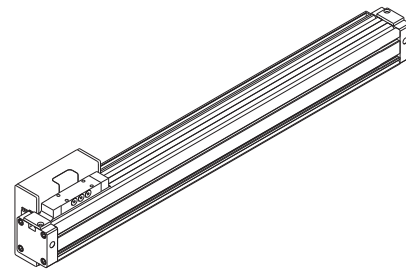
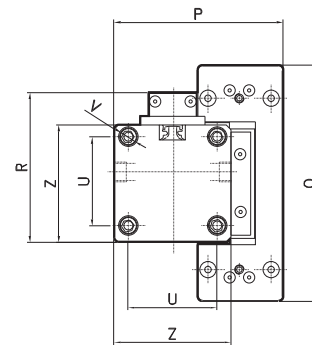
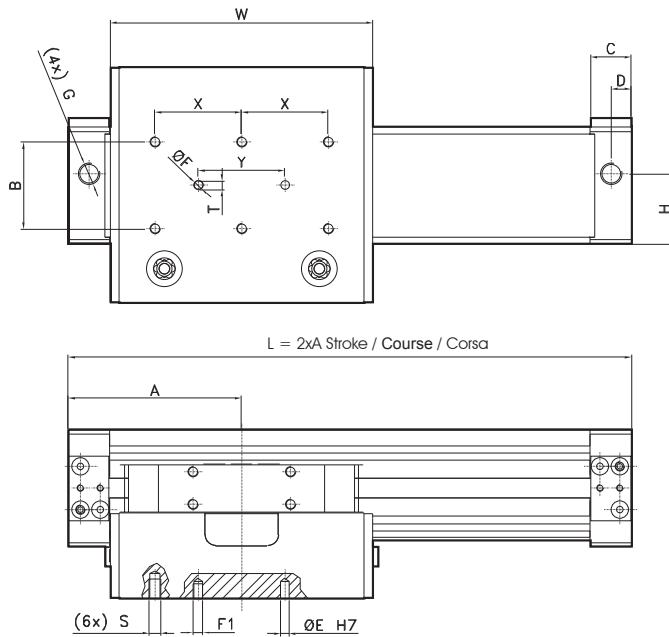
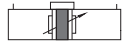


Ø	H1	H2	H3	H4	L1	L2	G
25	28.5	13.5	13.5	29.5	11	8	G1/8"
32	34.5	17.5	17.5	34.5	9.5	9.5	G1/8"
40	42.5	20.5	15.5	38	11.5	11.5	G1/4"
50	59	29	29.5	59	17	17	G3/8"
63	68.5	34	34	68.5	17	17	G3/8"



Short with guida ball bushings  
**Court avec roulement à sphere**  
 Corto con guida a ricircolo di sfere

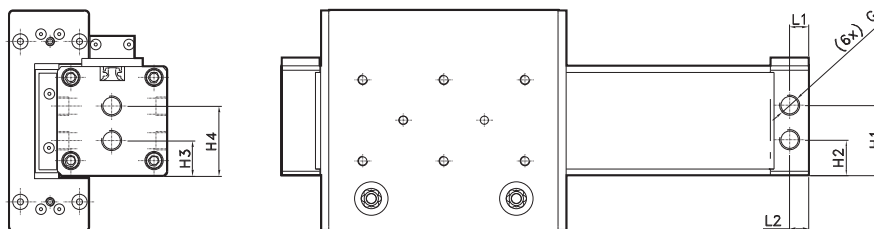
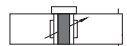
CODE: SS131.Ø.mm



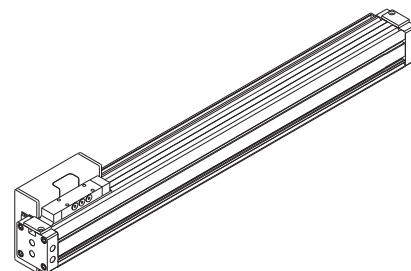
Ø	A	B	C	D	E	F	F1	G	H	P	Q	R	S	T	U	V	Z	X	Y	W
25	67.5	40	19	9.5	4x8	4x8	4.5x7	G1/8"	25	68	97	60	M5x7.5	4	36	M4x11	45	20	40	95
32	77.5	40	19	9.5	4x8	4x8	4.5x7	G1/8"	32.5	78	109	69	M6x9	4	41	M5x11	54	40	40	115
40	95	55	23	11.5	6x8	6x8	6.5x7	G1/4"	38	90.5	145	82	M6x12	6	49	M6x12	64	55	40	143.5
50	105	55	30	17	6x3.5	6x3.5	6.5x3	G3/8"	59	120	164	115	M8x15	6	65	M8x17	90	27.5	40	148
63	125	70	30	17	6x7	6x7	6.5x6.5	G3/8"	68.5	137	180	132	M8x17	6	78	M8x17	106	70	40	188

Short with guida ball bushings with connections on one side  
**Court roulement a sphere avec alimentations sur un côté**  
 Corto con guida a ricircolo di sfere con connessioni su un lato

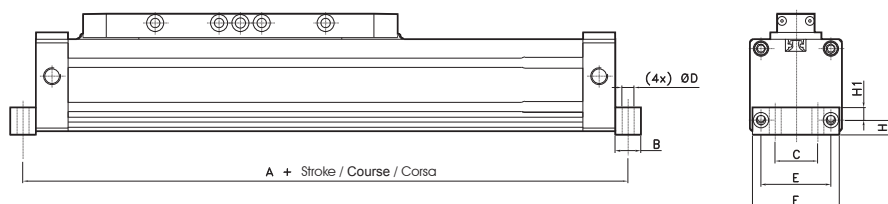
CODE: SS132.Ø.mm



Ø	H1	H2	H3	H4	L1	L2	G
25	28.5	13.5	13.5	29.5	11	8	G1/8"
32	34.5	17.5	17.5	34.5	9.5	9.5	G1/8"
40	42.5	20.5	15.5	38	11.5	11.5	G1/4"
50	59	29	29.5	59	17	17	G3/8"
63	68.5	34	34	68.5	17	17	G3/8"



**COUPLE LOW PEDESTALS**  
**COUPLE EQUERRE BASSE**  
**COPPIA PIEDINI BASSI**

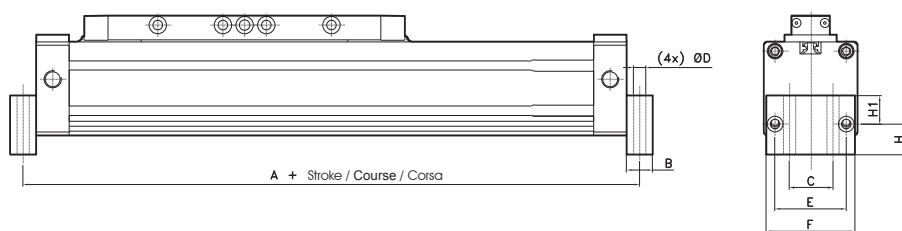


CODE	Ø
AR4280025	25
AR4280032	32
AR4280040	40
AR4280050	50
AR4280063	63

X2

Ø	A	B	C	D	E	F	H	H1
25	210	10	22	5.5	36	45	5.5	4.5
32	255	15	25	7	41	51	8.5	7.5
40	315	15	25	9	49	64	8.5	7.5
50	365	15	40	8.5	65	89	13.5	12.5
63	415	15	50	8.5	78	105	15	14

**COUPLE HIGH PEDESTALS**  
**COUPLE EQUERRE LARGE**  
**COPPIA PIEDINI ALTI**

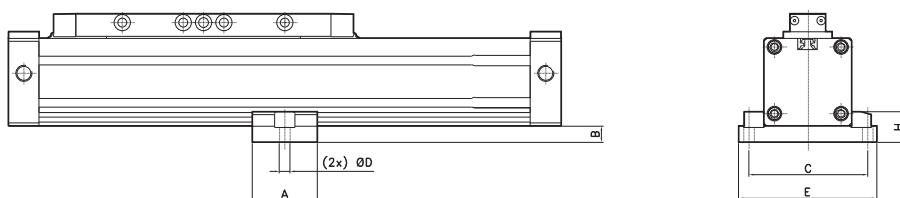


CODE	Ø
AR4281025	25
AR4281032	32
AR4281040	40
AR4281050	50
AR4281063	63

X2

Ø	A	B	C	D	E	F	H	H1
25	215	15	22	5.5	36	45	12.5	5.5
32	255	15	25	7	41	51	17.5	16.5
40	315	15	25	9	49	64	17.5	8.5
50	365	15	40	8.5	65	89	27.5	12.5
63	415	15	50	8.5	78	105	29	11

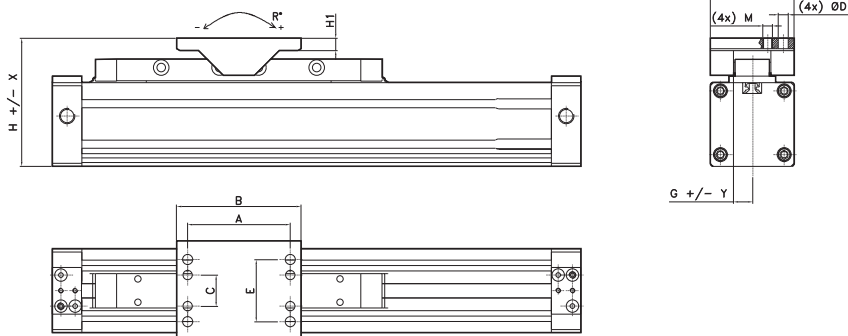
**INTERMEDIATE SUPPORT**  
**SUPPORT INTERMEDIAIRE**  
**SUPPORTO INTERMEDIO**



CODE	Ø
AR4282025	25
AR4282032	32
AR4282040	40
AR4282050	50
AR4282063	63

Ø	A	B	C	D	E	H
25	35	8	60	5.5	70	18.5
32	40	10	73	6.5	85	18.5
40	40	10	90.5	9	105	18.5
50	70	15	120	11	138	30
63	70	15	136	11	154	36

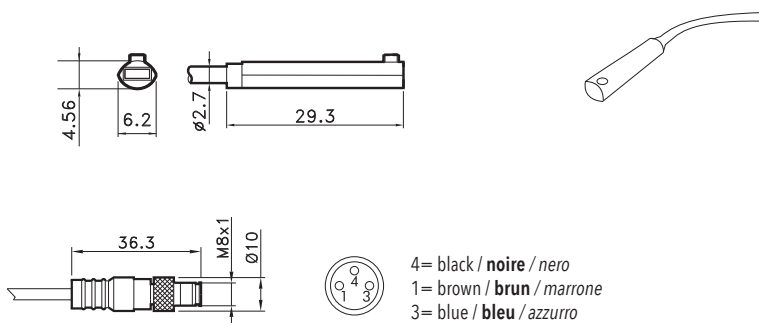
SWINGING BRIDGE  
**CHAPE OSCILLANTE LARGE**  
**CERNIERA OSCILLANTE LARGA**



Ø	A	B	C	D	E	F	G	Y	H	X	H1	M	R
25	66	80	20	6.5	40	54	12	0.8	74	1	8	M6	8
32	66	80	20	6.5	40	54	12	0.8	92	0.5	8	M6	6
40	66	80	20	6.5	40	54	12	0.8	94	1	8	M6	6
50	102	122	23	9	51	80	24	0.8	130	1	11	M8	5
63	102	122	23	9	51	80	24	0.8	145.5	1	11	M8	4.5

CODE	Ø
AR4283025	25
AR4283032	32
AR4283040	40
AR4283050	50
AR4283063	63

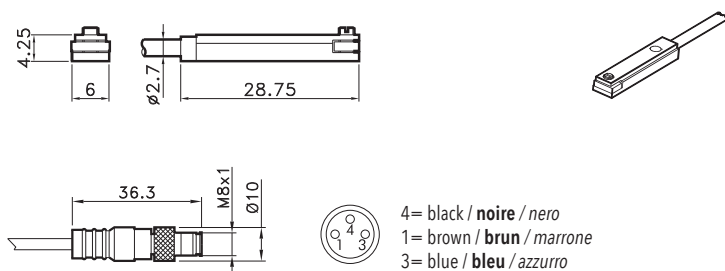
OVAL SWITCH  
**CAPTEUR OVAL**  
**SENSORE OVALE**



CODE	
AR4019010	REED (MT.2,5)
AR4019020	HALL (MT.2,5)
AR4019110	REED + M8 (CM 30)
AR4019120	HALL + M8 (CM 30)

For technical data see page 1.73  
**Pour les données techniques, voir page 1.73**  
*Per i dati tecnici vedere pag. 1.73*

T SWITCH  
**CAPTEUR EN T**  
**SENSORE AT**



CODE	
AR4023010	REED (MT.2,5)
AR4023020	HALL (MT.2,5)
AR4023110	REED + M8 (CM 30)
AR4023120	HALL + M8 (CM 30)

For technical data see page 1.74  
**Pour les données techniques, voir page 1.74**  
*Per i dati tecnici vedere pag. 1.74*