



Airwork short stroke cylinders CD series are engineered to guarantee good performances in very reduced spaces. They are available in different version: single or double acting and through rod. The body has grooves for the installation of sensors.

Les vérins course brève série CD fabriqués par AIRWORK garantissent de bonnes performances et un faible encombrement.
Nombreuses versions sont disponibles compris: double effet ou simple effet et tige traversante.
La rainure du corps permet d'y faire glisser un capteur.

I cilindri corsa breve, sono stati realizzati per garantire buone prestazioni in spazi molto ridotti. Sono disponibili numerose versioni tra cui: semplice o doppio effetto e con stelo passante. Sul corpo dei cilindri sono ricavate delle cave dove si alloggiano i sensori.

ORDERING CODE / CODIFICATION / CHIAVE DI CODIFICA

C D 0 0 1 0 0 0 0 0 0

Stroke / Course / Corsa

Ø cylinder / Ø vérin / Ø cilindro

1= Female rod / **Tige femelle** / Stelo femmina
 2= Male rod / **Tige male** / Stelo maschio

VERSION / VERSION / VERSIONE

01 = Double acting magnetic / **Double effet magnétique** / Doppio effetto magnetico
 02 = Double acting no magnetic / **Double effet non magnétique** / Doppio effetto non magnetico
 03 = Through rod magnetic / **Tige traversante magnétique** / Stelo passante magnetico
 04 = Through rod no magnetic / **Tige traversante non magnétique** / Stelo passante non magnetico
 15 = Single acting front spring magnetic / **Simple effet tige rentrée magnétique** / Semplice effetto molla anteriore magnetico
 16 = Single acting front spring no magnetic / **Simple effet tige rentrée non magnétique** / Semplice effetto molla anteriore non magnetico



On request Atex version:
Sur demande version Atex:
 Su richiesta versione Atex:
 Ex II 2G Ex h II c T6 Gb
 Ex II 2D Ex h III c T80°C Db

STANDARD STROKES / COURSE STANDARD / CORSE STANDARD

Double acting / **Double effet** / Doppio effetto

Ø16	mm 5-10-15-20-25-30
Ø20	mm 5-10-15-20-25-30-35-40-45-50
Ø25	mm 5-10-15-20-25-30-35-40-45-50
Ø32	mm 5-10-15-20-25-30-35-40-45-50-75-100
Ø40	mm 5-10-15-20-25-30-35-40-45-50-75-100
Ø50	mm 10-15-20-25-30-35-40-45-50-75-100
Ø63	mm 10-15-20-25-30-35-40-45-50-75-100
Ø80	mm 10-15-20-25-30-35-40-45-50-75-100
Ø100	mm 10-15-20-25-30-35-40-45-50-75-100

Single acting / **Simple effet** / Semplice effetto

Ø16	mm 5-10
Ø20	mm 5-10
Ø25	mm 5-10
Ø32	mm 5-10
Ø40	mm 5-10
Ø50	mm 10-20

TECHNICAL DATA / DONNÉES TECHNIQUES / DATI TECNICI

Fluid / **Fluide** / Fluido

Lubricated or non lubricated air / **Air avec ou sans lubrification** / Aria con o senza lubrificazione

Operating temperature range / **Température d'utilisation** / Temperatura di esercizio

-20°C / +80°C

Max operating pressure / **Pression max d'utilisation** / Pressione massima di esercizio

10 bar

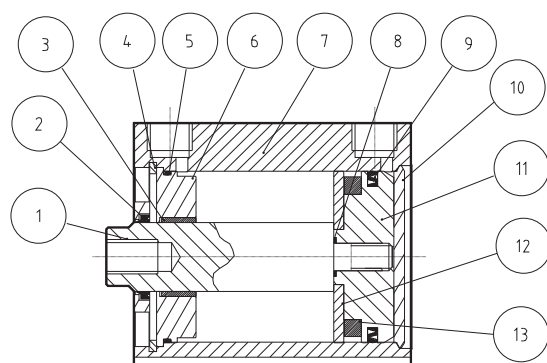
Force / **Force** / Forze sviluppate

Technical informations page / **Page informations techniques** / Pagina dati tecnici

Air consumption / **Consommation d'air** / Consumo aria

Technical informations page / **Page informations techniques** / Pagina dati tecnici

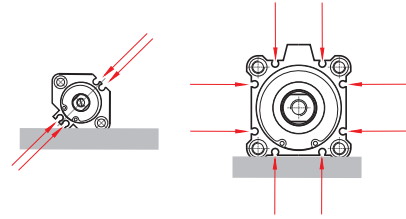
COMPONENTS / COMPOSANTS / COMPONENTI



N.	DESCRIPTION / DESCRIPTION / DESCRIZIONE	MATERIAL / MATIÈRE / MATERIALE
1	rod / tige / stelo	steel C 40 chromed / acier C40 chromé / acciaio C40 cromato
2	rod seal / joints tige / guarnizione stelo	polyurethane / polyuréthane / poliuretano
3	guide bush / bague guidage / bussola guida	steel + PTFE / inox + PTFE / acciaio + PTFE
4	seeger ring / seeger / anello seeger	steel / acier / acciaio
5	o-ring / joint torique / o-ring	NBR
6	front cap / nez avant / testata anteriore	aluminium / aluminium / alluminio
7	body / corps / corpo	aluminium / aluminium / alluminio
8	o-ring / joint torique / o-ring	NBR
9	piston seal / joints piston / guarnizione pist.	polyurethane / polyuréthane / poliuretano
10	rear cap / fond arrière / testata post.	aluminium / aluminium / alluminio
11	piston / piston / pistone	aluminium / aluminium / alluminio
12	piston disk / disque piston / piattello pistone	aluminium / aluminium / alluminio
13	magnet / aimant / magnete	plastoferrite

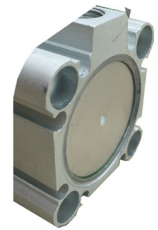
Rod diameter increased
Diamètre de la tige renforcée
Diametro stelo maggiorato

Sensors can be mounted on all sides
Possibilité d'installer un capteur sur toutes les faces
Possibilità di inserimento sensore su tutti i lati



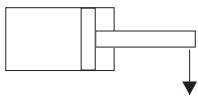
Front head treated with anti-wear treatment
Tête avant, traité anti-usure
Testata anteriore con trattamento anti-usura

Highly compact dimensions thanks to a special rear head mounting.
Dimensions très compactes grâce à la fixation du fond arrière.
Dimensioni molto contenute grazie ad un sistema di pressatura del fondello posteriore.

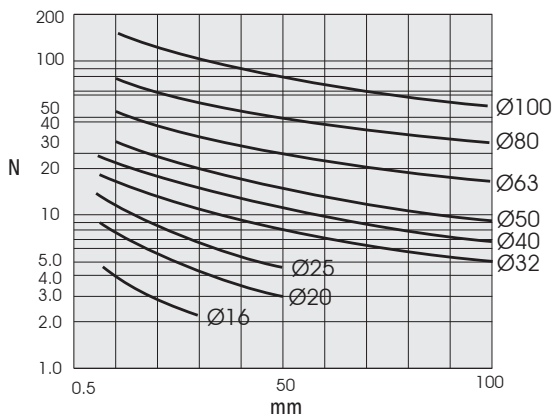


Low friction rod and piston seals
Joint tige et piston à faible friction
Guarnizione stelo e pistone a basso attrito

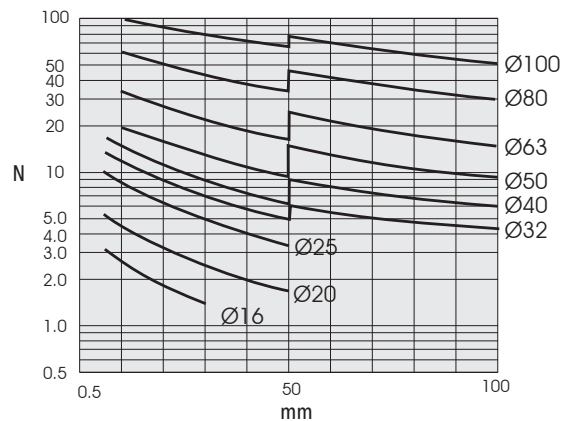
ADMISSIBLE LOAD / CHARGE ADMISSIBLE / CARICO AMMISSIBILE



MAGNETIC / MAGNÉTIQUE / MAGNETICO

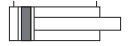


NO MAGNETIC / NO MAGNÉTIQUE / NON MAGNETICO



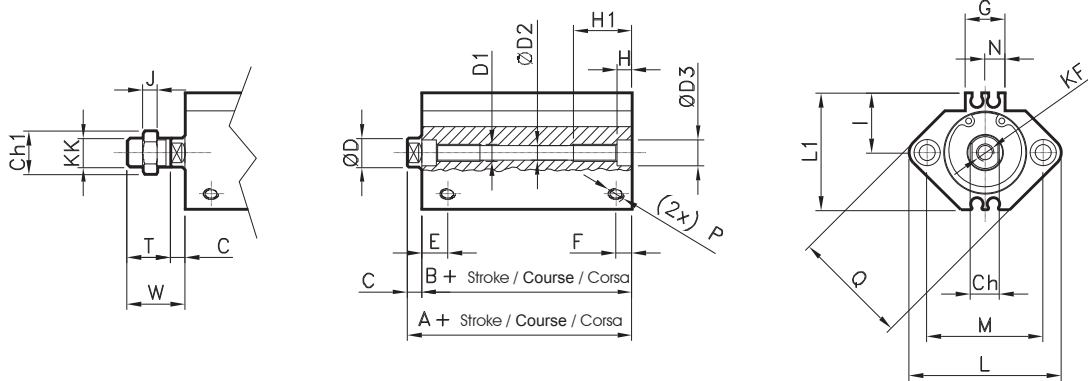
Double acting magnetic
Double effet magnétique
Doppio effetto magnetico

CODE: CD0111.Ømm

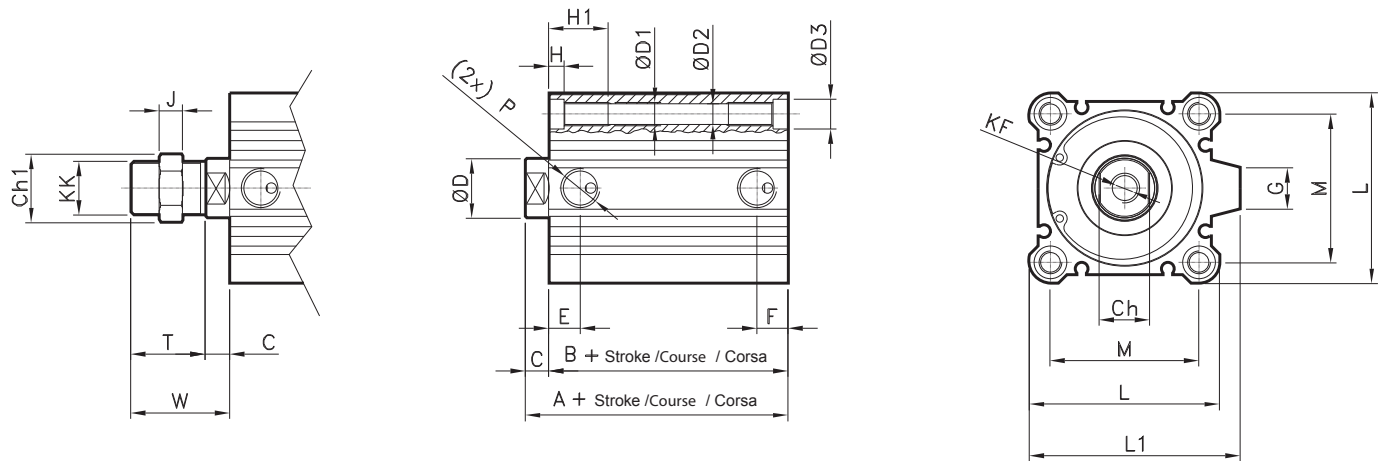


Actuators / Actionneurs / Attuatori

SHORT STROKE CYLINDERS / VERINS COURSE BREVE / CILINDRI CORSA BREVE



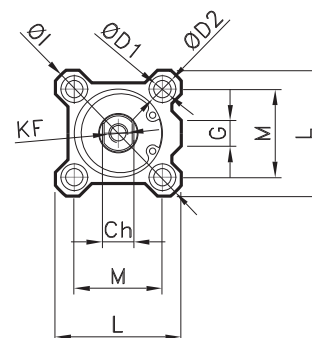
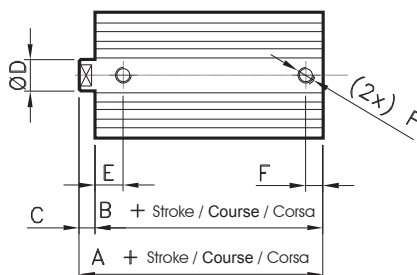
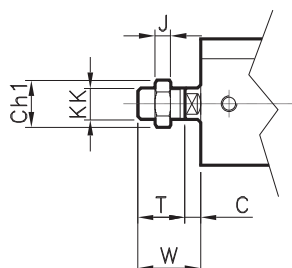
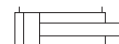
Ø	A	B	C	Ch	Ch1	ØDf7	ØD1	ØD2	ØD3	E	F	G	H	H1	I	J	KF	KK	L	L1	M	N	P	Q	T	W
16	34	30.5	3.5	6	10	8	M4	3.5	6.5	10	5.5	13.2	3.5	11	15	5	M4	M6	37	29.5	28	6.6	M5	29	12	15.5
20	36	31.5	4.5	8	13	10	M6	5.5	9	8	5.5	13.6	7	17	18	6	M5	M8	47	35.5	36	6.8	M5	36	14	18.5
25	37.5	32.5	5	10	17	12	M6	5.5	9	9	5.5	13.6	7	17	21	6	M6	M10x1.25	52	40.5	40	6.8	M5	40	17.5	22.5



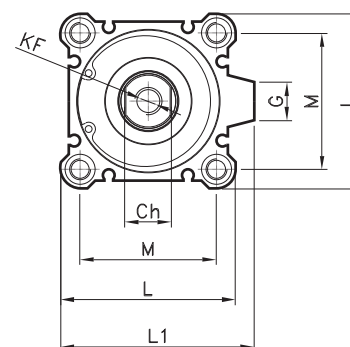
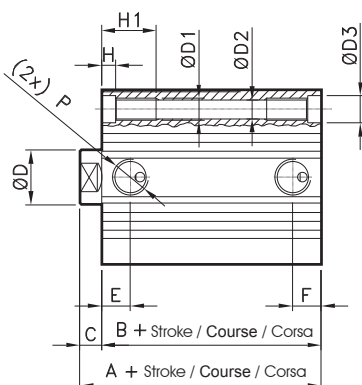
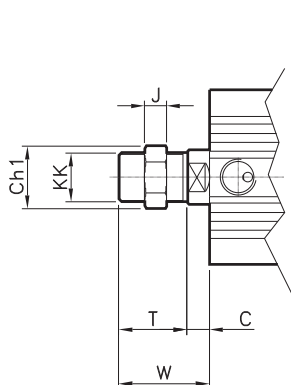
Ø	A	B	C	Ch	Ch1	ØD	ØD1	ØD2	ØD3	E	F	G	H	H1	J	KF	KK	L	L1	M	P	T	W
32	40	33	7	14	22	16	M6	5.5	9	10	7.5	14	7	17	8	M8	M14x1.5	45	49.5	34	1/8	23.5	28.5
40	46.5	39.5	7	14	22	16	M6	5.5	9	12.5	7.5	15	7	17	8	M8	M14x1.5	52	57	40	1/8	23.5	28.5
50	48.5	40.5	8	17	27	20	M8	6.6	11	10.5	10.5	19	8	22	11	M10	M18x1.5	64	71	50	1/4	28.5	33.5
63	54	46	8	17	27	20	M10	9	14	15	10.5	19	10.5	28.5	11	M10	M18x1.5	77	84	60	1/4	28.5	33.5
80	63.5	53.5	10	22	32	25	M12	11	17.5	16	12.5	25	13.5	35.5	13	M16	M22x1.5	98	104	77	3/8	35.5	43.5
100	75	63	12	27	36	30	M12	11	17.5	23	13	25	13.5	35.5	16	M20	M26x1.5	117	123.5	94	3/8	35.5	43.5

Double acting no magnetic
Double effet non magnétique
 Doppio effetto non magnetico

CODE: CD0211.Ø.mm



Ø	A	B	C	Ch	Ch1	ØD f7	ØD1	ØD2	E	F	G	I	J	KF	KK	L	M	P	T	W
16	22	18.5	3.5	6	10	8	3.5	6.5x3.5	8	5.5	11	38	5	M4	M6	29	20	M5	12	15.5
20	24	19.5	4.5	8	13	10	5.5	9x7	8	5.5	11	47	6	M5	M8	36	25.5	M5	14	18.5
25	27.5	22.5	5	10	17	12	5.5	9x7	9	5.5	11	52	6	M6	M10x1.25	40	28	M5	17.5	22.5



Ø	A (Stroke / Course / Corsa)		B (Stroke / Course / Corsa)		C	CH	CH1	ØD	ØD1	ØD2	ØD3	E	F	G	H	H1	J	KF	KK	L	L1	M	P	T	W
32	30 (5÷50)	46 (75÷100)	23 (5÷50)	33 (75÷100)	7	14	22	16	M6	5.5	9	10	7.5	14	7	17	8	M8	M14x1.5	45	49.5	34	1/8	23.5	28.5
40	36.5 (5÷50)	46.5 (75÷100)	29.5 (5÷50)	39.5 (75÷100)	7	14	22	16	M6	5.5	9	12.5	7.5	15	7	17	8	M8	M14x1.5	52	57	40	1/8	23.5	28.5
50	38.5 (10÷50)	48.5 (75÷100)	30.5 (10÷50)	40.5 (75÷100)	8	17	27	20	M8	6.6	11	10.5	10.5	19	8	22	11	M10	M18x1.5	64	71	50	1/4	28.5	33.5
63	44 (10÷50)	54 (75÷100)	36 (10÷50)	46 (75÷100)	8	17	27	20	M10	9	14	15	10.5	19	10.5	28.5	11	M10	M18x1.5	77	84	60	1/4	28.5	33.5
80	53.5 (10÷50)	63.5 (75÷100)	43.5 (10÷50)	53.5 (75÷100)	10	22	32	25	M12	11	17.5	16	12.5	25	13.5	35.5	13	M16	M22x1.5	98	104	77	3/8	35.5	43.5
100	65 (10÷50)	75 (75÷100)	53 (10÷50)	63 (75÷100)	12	27	36	30	M12	11	17.5	23	13	25	13.5	35.5	16	M20	M26x1.5	117	123.5	94	3/8	35.5	43.5

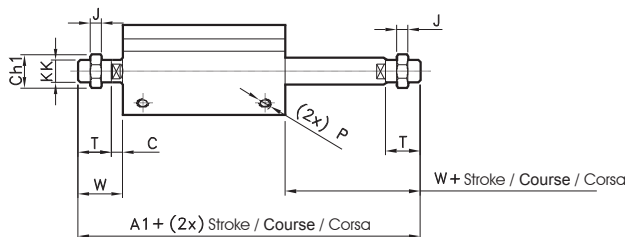
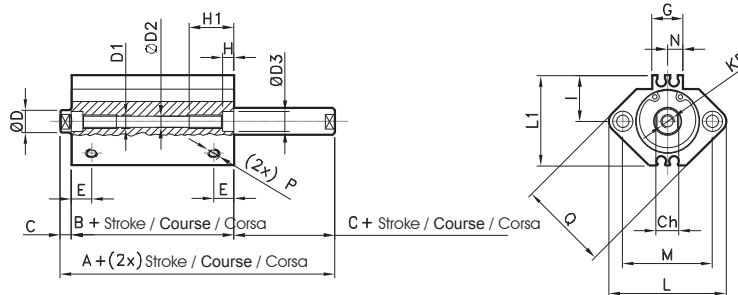
Through rod magnetic
Tige traversante magnétique
Stelo passante magnetico

CODE: CD0311.Ø.mm

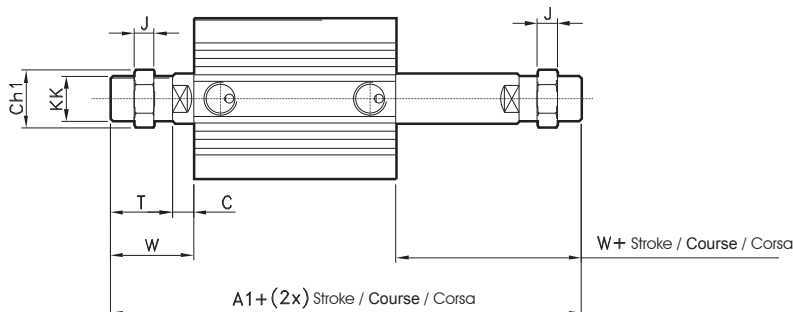
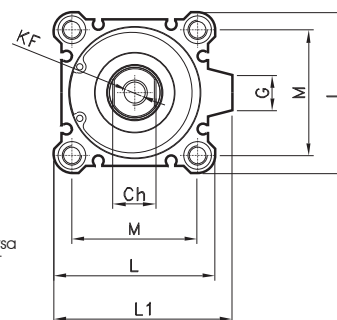
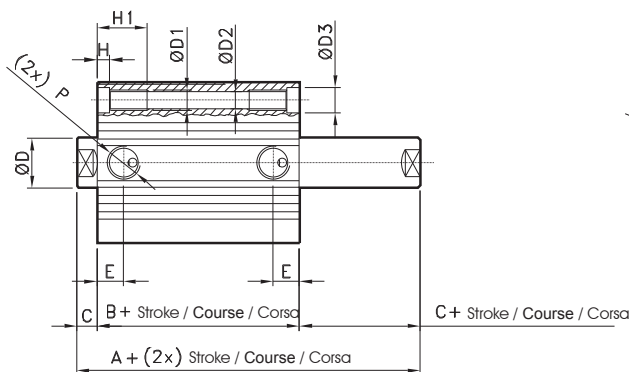


Actuators / Actionneurs / Attuatori

SHORT STROKE CYLINDERS / VERINS COURSE BREVE / CILINDRI CORSA BREVE



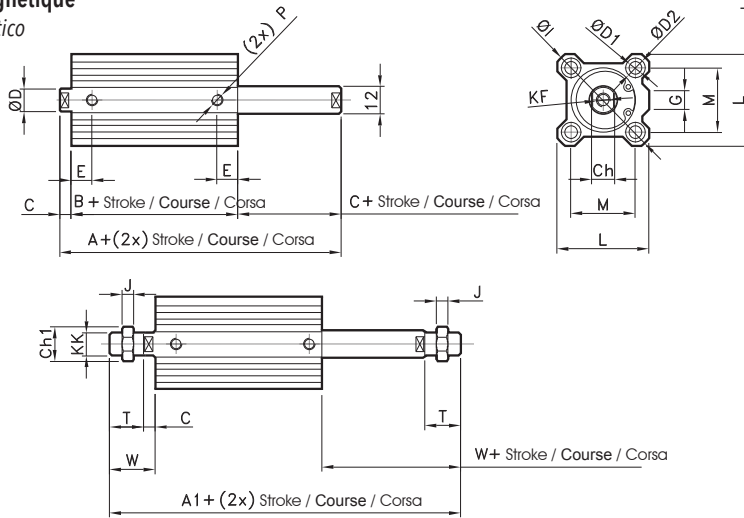
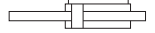
Ø	A	B	C	CH	CH1	ØD f7	ØD1	ØD2	ØD3	E	G	H	H1	I	J	KF	KK	L	L1	M	N	P	Q	T	W
16	43	36	3.5	6	10	8	M4	3.5	6.5	10	13.2	3.5	11	15	5	M4	M6	37	29.5	28	6.6	M5	29	12	15.5
20	47	38	4.5	8	13	10	M6	5.5	9	8	13.6	7	17	18	6	M5	M8	47	35.5	36	6.8	M5	36	14	18.5
25	49	39	5	10	17	12	M6	5.5	9	9	13.6	7	17	21	6	M6	M10x1.25	52	40.5	40	6.8	M5	40	17.5	22.5



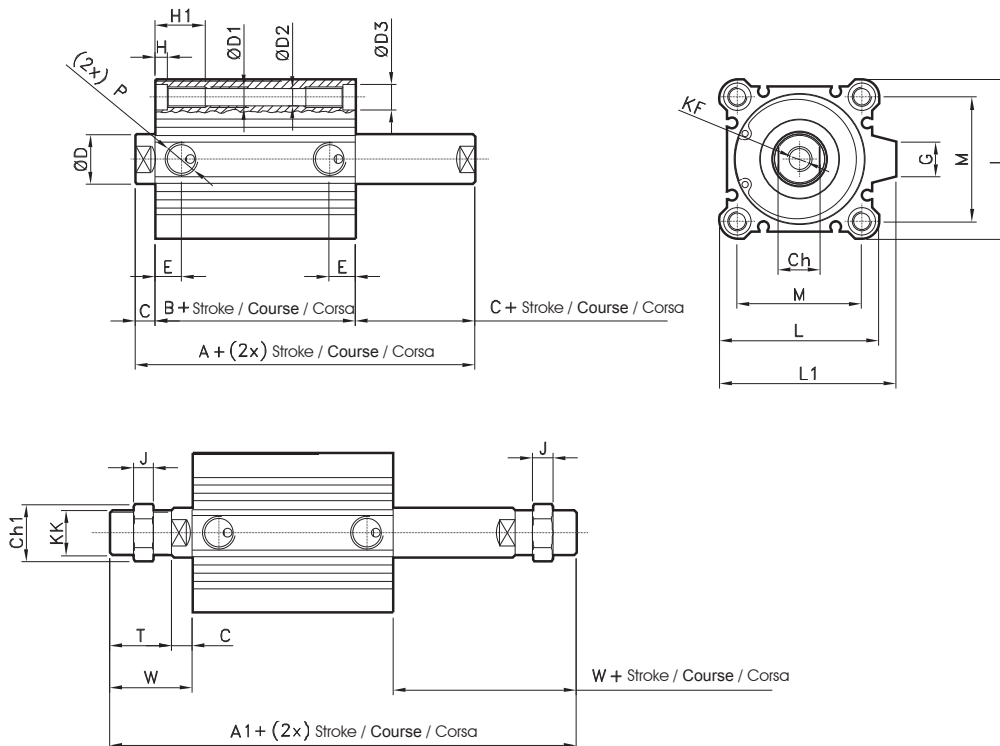
Ø	A	A1	B	c	Ch	Ch1	ØD	ØD1	ØD2	ØD3	E	G	H	H1	J	KF	KK	L	L1	M	P	T	W
32	54.5	97.5	40.5	7	14	22	16	M6	5.5	9	10	14	7	17	8	M8	M14x1.5	45	49.5	34	1/8	23.5	28.5
40	64	107	50	7	14	22	16	M6	5.5	9	12.5	15	7	17	8	M8	M14x1.5	52	57	40	1/8	23.5	28.5
50	66.5	117.5	50.5	8	17	27	20	M8	6.6	11	10.5	19	8	22	11	M10	M18x1.5	64	71	50	1/4	28.5	33.5
63	68	119	52	8	17	27	20	M10	9	14	15	19	10.5	28.5	11	M10	M18x1.5	77	84	60	1/4	28.5	33.5
80	81	148	61	10	22	32	25	M12	11	17.5	16	25	13.5	35.5	13	M16	M22x1.5	98	104	77	3/8	35.5	43.5
100	94.5	157.5	70.5	12	27	36	30	M12	11	17.5	23	25	13.5	35.5	16	M20	M26x1.5	117	123.5	94	3/8	35.5	43.5

Through rod no magnetic
Tige traversante non magnétique
Stelo passante non magnetico

CODE: CD0411.Ø.mm



Ø	A	A1	B	C	Ch	Ch1	ØD f7	ØD1	ØD2	E	G	I	J	KF	KK	L	M	P	T	W
16	33	57	26	3.5	6	10	8	3.5	6.5x3.5	10	11	38	5	M4	M6	29	20	M5	12	15.5
20	35	63	26	4.5	8	13	10	5.5	9x7	8	11	47	6	M5	M8	36	25.5	M5	14	18.5
25	39	74	29	5	10	17	12	5.5	9x7	9	11	52	6	M6	M10x1.25	40	28	M5	17.5	22.5



Ø	A (Stroke / Course / Corsa)	A1 (Stroke / Course / Corsa)	B (Stroke / Course / Corsa)	C	CH	CH1	ØD	ØD1	ØD2	ØD3	E	G	H	H1	J	KF	KK	L	L1	M	P	T	W			
32	44.5 (5÷50)	54.5 (75÷100)	87.5 (5÷50)	97.5 (75÷100)	30.5 (5÷50)	40.5 (75÷100)	7	14	22	16	M6	5.5	9	10	14	7	17	8	M8	M14x1.5	45	49.5	34	1/8	23.5	28.5
40	54 (5÷50)	64 (75÷100)	97 (5÷50)	107 (75÷100)	40 (5÷50)	50 (75÷100)	7	14	22	16	M6	5.5	9	12.5	15	7	17	8	M8	M14x1.5	52	57	40	1/8	23.5	28.5
50	56.5 (10÷50)	66.5 (75÷100)	107.5 (10÷50)	117.5 (75÷100)	40.5 (10÷50)	50.5 (75÷100)	8	17	27	20	M8	6.6	11	10.5	19	8	22	11	M10	M18x1.5	64	71	50	1/4	28.5	33.5
63	58 (10÷50)	68 (75÷100)	109 (10÷50)	119 (75÷100)	42 (10÷50)	52 (75÷100)	8	17	27	20	M10	9	14	15	19	10.5	28.5	11	M10	M18x1.5	77	84	60	1/4	28.5	33.5
80	71 (10÷50)	81 (75÷100)	138 (10÷50)	148 (75÷100)	51 (10÷50)	61 (75÷100)	10	22	32	25	M12	11	17.5	16	25	13.5	35.5	13	M16	M22x1.5	98	104	77	3/8	35.5	43.5
100	84.5 (10÷50)	94.5 (75÷100)	147.5 (10÷50)	157.5 (75÷100)	60.5 (10÷50)	70.5 (75÷100)	12	27	36	30	M12	11	17.5	23	25	13.5	35.5	16	M20	M26x1.5	117	123.5	94	3/8	35.5	43.5

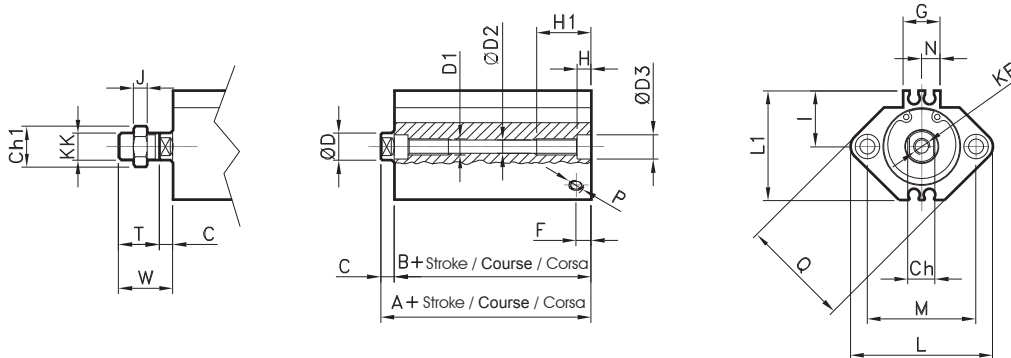
Single acting magnetic
Simple effet magnétique
Semplice effetto magnetico

CODE: CD1511.Ø.mm

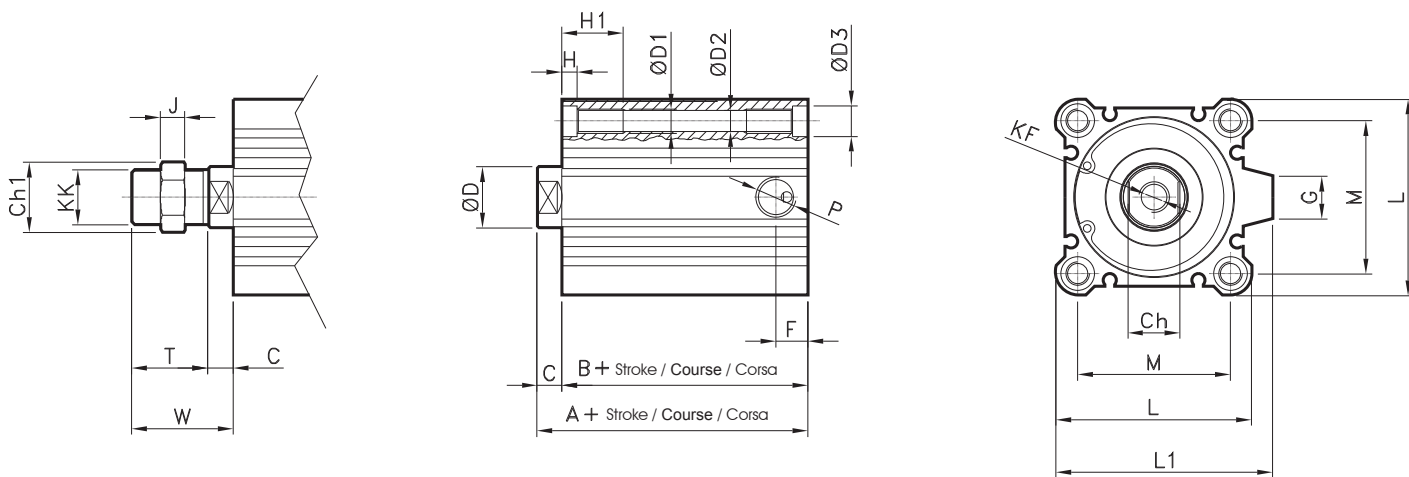


Actuators / Actionneurs / Attuatori

SHORT STROKE CYLINDERS / VERINS COURSE BREVE / CILINDRI CORSA BREVE



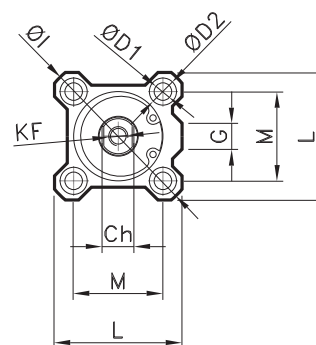
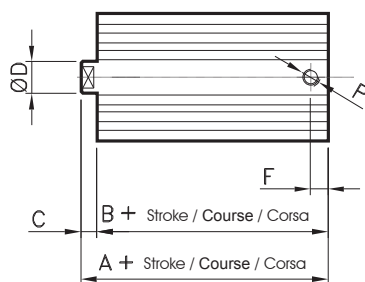
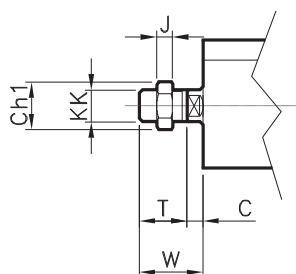
Ø	A	B	C	CH	CH1	ØD f7	ØD1	ØD2	ØD3	F	G	H	H1	I	J	KF	KK	L	L1	M	N	P	Q	T	W
16	34	30.5	3.5	6	10	8	M4	3.5	6.5	5.5	13.2	3.5	11	15	5	M4	M6	37	29.5	28	6.6	M5	29	12	15.5
20	36	31.5	4.5	8	13	10	M6	5.5	9	5.5	13.6	7	17	18	6	M5	M8	47	35.5	36	6.8	M5	36	14	18.5
25	37.5	32.5	5	10	17	12	M6	5.5	9	5.5	13.6	7	17	21	6	M6	M10x1.25	52	40.5	40	6.8	M5	40	17.5	22.5



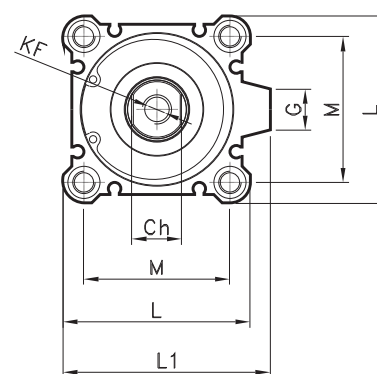
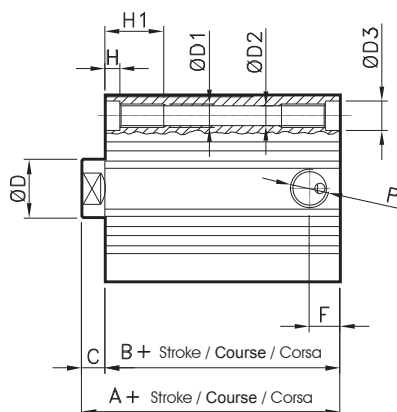
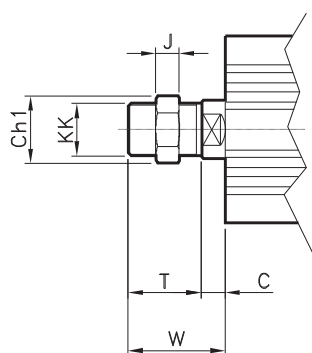
Ø	A	B	C	CH	CH1	ØD f7	ØD1	ØD2	ØD3	F	G	H	H1	J	KF	KK	L	L1	M	P	T	W
32	40	33	7	14	22	16	M6	5.5	9	7.5	14	7	17	8	M8	M14x1.5	45	49.5	34	1/8	23.5	28.5
40	46.5	39.5	7	14	22	16	M6	5.5	9	7.5	15	7	17	8	M8	M14x1.5	52	57	40	1/8	23.5	28.5
50	48.5	40.5	8	17	27	20	M8	6.6	11	10.5	19	8	22	11	M10	M18x1.5	64	71	50	1/4	28.5	33.5

Single acting not magnetic
Simple effet non magnétique
Semplice effetto non magnetico

CODE: CD1611.Ø.mm

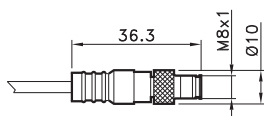
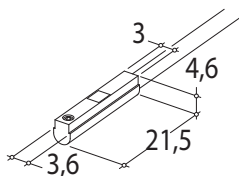


Ø	A	B	C	CH	CH1	ØD	ØD1	ØD2	E	G	I	J	KF	KK	L	M	P	T	W
16	22	18.5	3.5	6	10	8	3.5	6.5x3.5	8	11	38	5	M4	M6	29	20	M5	12	15.5
20	24	19.5	4.5	8	13	10	5.5	9x7	8	11	47	6	M5	M8	36	25.5	M5	14	18.5
25	27.5	22.5	5	10	17	12	5.5	9x7	9	11	52	6	M6	M10x1.25	40	28	M5	17.5	22.5



Ø	A	B	C	CH	CH1	ØD	ØD1	ØD2	ØD3	E	F	G	H	H1	J	KF	KK	L	L1	M	P	T	W
32	30	23	7	14	22	16	M6	5.5	9	10	7.5	14	7	17	8	M8	M14x1.5	45	49.5	34	1/8	23.5	28.5
40	36.5	29.5	7	14	22	16	M6	5.5	9	12.5	7.5	15	7	17	8	M8	M14x1.5	52	57	40	1/8	23.5	28.5
50	38.5	30.5	8	17	27	20	M8	6.6	11	10.5	10.5	19	8	22	11	M10	M18x1.5	64	71	50	1/4	28.5	33.5

ROUND SWITCH
CAPTEUR ROND
 SENSORE TONDO



4= black / **noire** / nero
 1= brown / **brun** / marrone
 3= blue / **bleu** / azzurro

CODE

AR4018010	REED (MT.2,5) / REED (MT.2,5) / REED (MT.2,5)
AR4018020	HALL (MT.2,5) / HALL (MT.2,5) / HALL (MT.2,5)
AR4018110	REED + M8 (CM 30) / REED + M8 / REED + M8 (CM 30)
AR4018120	HALL + M8 (CM 30) / HALL + M8 / HALL + M8 (CM 30)

For technical data see page 1.75

Pour les données techniques, voir page 1.75

Per i dati tecnici vedere pag. 1.75